

388-377 SUMMIT® PRO 1.28



Round Front, SmartHeight™, Vitreous China, Two-Piece Toilet

FEATURES

- High performance MagnaFlush™ flushing technology
- 1.28 gpf / 4.8 lpf
- Round front, SmartHeight™ bowl
- SmartFasten™ 3-bolt tank-to-bowl connection
- PuraClean® easy-to-clean glaze
- 3" Rigid Flapper flush valve – requires less force to flush, is more consistent and uses a simple universal repair part/seal
- Fluidmaster® pilot operated anti-siphon fill valve
- 12" rough-in
- Model 59 color match, metal trip lever
- 2" glazed trapway
- The Mansfield® limited lifetime warranty on china, Five-year limited warranty on tank trim
- Available in White



MODEL 388-377

Toilet seat not included



ROUND



SMARTHEIGHT ADA

COMPONENTS

MODEL #	DESCRIPTION	CODES/STANDARDS
388-377	Round front, SmartHeight™, two-piece toilet. Less toilet seat and supply.	
388	Round front, SmartHeight™ toilet bowl only. Less supply.	
377	Tank and cover only, with left hand, front-mount, color match, metal trip lever. Less supply.	

TANK TRIM & REPLACEMENT PARTS	
59	Trip lever - color match, metal trip lever, left hand
2036-1212	Summit® 1.28 rigid flapper flush valve
400A	Fluidmaster® pilot anti-siphon fill valve
2206	Pilot operated fill valve
630-0030	Replacement flush valve seal
386-LID	Tank lid



388-377 SUMMIT[®] PRO 1.28



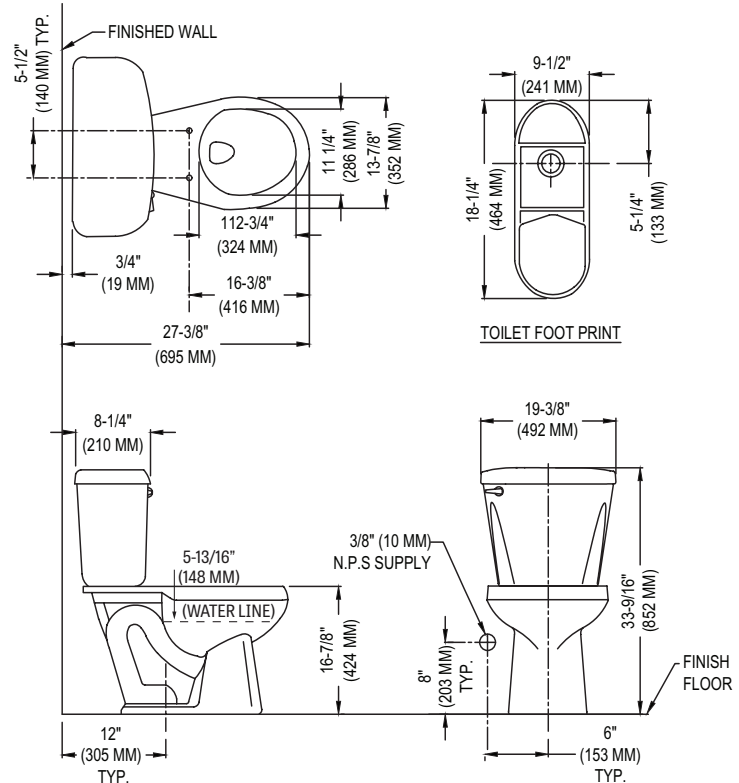
Round Front, SmartHeight™, Vitreous China, Two-Piece Toilet

SPECIFICATIONS

MODEL #	DESCRIPTION	CODES/STANDARDS
388-377	Round front, SmartHeight™ (1.28 gpf/4.8 lpf) two-piece toilet	

MATERIAL	Vitreous China	TRAP DIAMETER	2'
WATER PRESSURE RANGE	20 to 80 PSI	TRAP SEAL	2-1/4'
FLUSH SYSTEM	MagnaFlush™ flushing technology	SHIPPING WEIGHT	Model 388 - 52 lbs. (23.5 kg) Model 377 - 36 lbs. (16.3 kg)
WATER USAGE	1.28 gpf / 4.8 lpf	WARRANTY	Vitreous China - Limited Lifetime Tank Trim - Limited Five Year
WATER SURFACE AREA	8' X 9'		
ROUGH-IN	12'		
MAP RATING	1,000 grams		

TANK OPTIONS	TECHNICAL INFORMATION
377RH Variation of model 377, with right hand trip lever.	Note: these dimensions are nominal and subject to change without notice.



Fixture performance and specifications meet or exceed ASME A112.19.2-2013/CSA B45.1-13 standards, and other state and local codes.

