

# 388-376 SUMMIT® PRO



Round Front, SmartHeight™, Vitreous China, Two-Piece Toilet

## FEATURES

- High performance MagnaFlush™ flushing technology
- 1.6 gpf / 6.0 lpf
- Round front, SmartHeight™ bowl
- SmartFasten™ 3-bolt tank-to-bowl connection
- PuraClean® easy-to-clean glaze
- 3" Rigid Flapper flush valve – requires less force to flush, is more consistent and uses a simple universal repair part/seal
- Fluidmaster® pilot operated anti-siphon fill valve
- 12" rough-in
- Model 59 color match, metal trip lever
- 2" glazed trapway
- The Mansfield® limited lifetime warranty on china, Five-year limited warranty on tank trim
- Available in White



**MODEL 388-376**

Toilet seat not included





ROUND



SMARTHEIGHT ADA

## COMPONENTS

MODEL #	DESCRIPTION	CODES/STANDARDS
<b>388-376</b>	Round front, SmartHeight™, two-piece toilet. Less toilet seat and supply.	 
<b>388</b>	Round front, SmartHeight™ toilet bowl only. Less supply.	
<b>376</b>	Tank and cover only, with left hand, front-mount, color match, metal trip lever. Less supply.	

TANK TRIM & REPLACEMENT PARTS	
<b>59</b>	Trip lever - color match, metal trip lever, left hand
<b>2037-1212</b>	Summit® 1.6 rigid flapper flush valve
<b>400A</b>	Fluidmaster® pilot anti-siphon fill valve
<b>2206</b>	Pilot operated fill valve
<b>630-0030</b>	Replacement flush valve seal
<b>386-LID</b>	Tank lid





# 388-376 SUMMIT<sup>®</sup> PRO



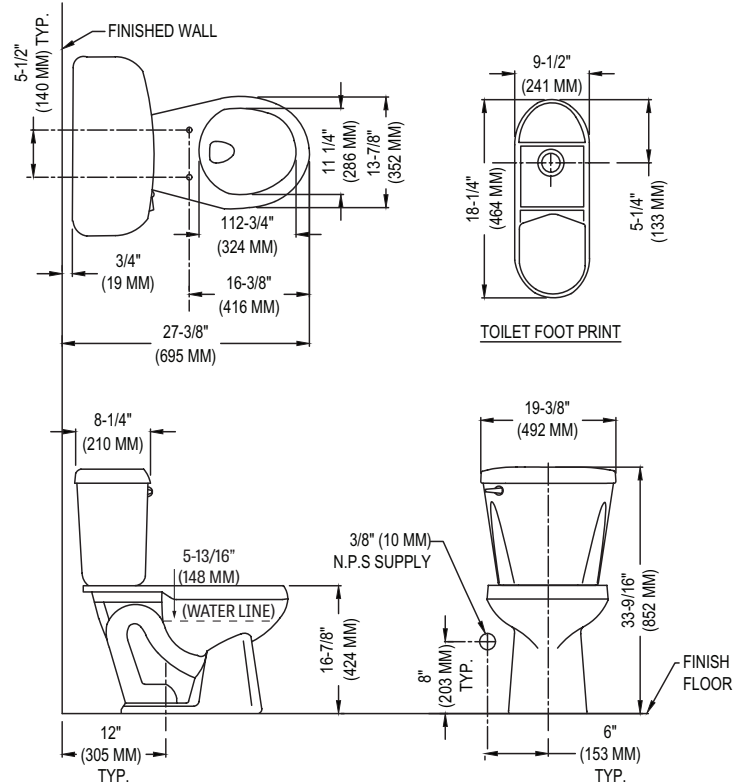
Round Front, SmartHeight™, Vitreous China, Two-Piece Toilet

## SPECIFICATIONS

MODEL #	DESCRIPTION	CODES/STANDARDS
388-376	Round front, SmartHeight™ (1.6 gpf/6.0 lpf) two-piece toilet	 

<b>MATERIAL</b>	Vitreous China	<b>TRAP DIAMETER</b>	2'
<b>WATER PRESSURE RANGE</b>	20 to 80 PSI	<b>TRAP SEAL</b>	2-1/4'
<b>FLUSH SYSTEM</b>	MagnaFlush™ flushing technology	<b>SHIPPING WEIGHT</b>	Model 388 - 52 lbs. (23.5 kg) Model 376 - 36 lbs. (16.3 kg)
<b>WATER USAGE</b>	1.6 gpf / 6.0 lpf	<b>WARRANTY</b>	Vitreous China - Limited Lifetime Tank Trim - Limited Five Year
<b>WATER SURFACE AREA</b>	8' X 9'		
<b>ROUGH-IN</b>	12'		
<b>MAP RATING</b>	1,000 grams		

TANK OPTIONS		TECHNICAL INFORMATION
376RH	Variation of model 376, with right hand trip lever.	<b>Note:</b> these dimensions are nominal and subject to change without notice.



Fixture performance and specifications meet or exceed ASME A112.19.2-2013/CSA B45.1-13 standards, and other state and local codes.

