

# 384-376 SUMMIT® PRO

# MANSFIELD®

Elongated Front, SmartHeight™, Vitreous China, Two-Piece Toilet

## FEATURES

- High performance MagnaFlush™ flushing technology
- 1.6 gpf / 6.0 lpf
- Elongated front, SmartHeight™ bowl (ADA compliant)
- SmartFasten™ 3-bolt tank-to-bowl connection
- PuraClean® easy-to-clean glaze
- 3" Rigid Flapper flush valve – requires less force to flush, is more consistent and uses a simple universal repair part/seal
- Fluidmaster® pilot operated anti-siphon fill valve
- 12" rough-in
- Model 59 color match, metal trip lever
- 2" glazed trapway
- The Mansfield® limited lifetime warranty on china, Five-year limited warranty on tank trim
- Available in White



**MODEL 384-376**

Toilet seat not included





ELONGATED



SMARTHEIGHT ADA

## COMPONENTS

| MODEL #                       | DESCRIPTION   | CODES/STANDARDS   |
|-------------------------------|---|---|
| <b>384-376</b>                | Elongated front, SmartHeight™, two-piece toilet. Less toilet seat and supply.                 |   |
| <b>384</b>                    | Elongated front, SmartHeight™ toilet bowl only. Less supply.                                  |   |
| <b>376</b>                    | Tank and cover only, with left hand, front-mount, color match, metal trip lever. Less supply. |   |
| TANK TRIM & REPLACEMENT PARTS |   |   |
| <b>59</b>                     | Trip lever - color match, metal trip lever, left hand   |   |
| <b>2037-1212</b>              | Summit® 1.6 rigid flapper flush valve   |   |
| <b>400A</b>                   | Fluidmaster® pilot anti-siphon fill valve   |   |
| <b>2206</b>                   | Pilot operated fill valve   |   |
| <b>630-0030</b>               | Replacement flush valve seal  |   |
| <b>386-LID</b>                | Tank lid  |   |





# 384-376 SUMMIT<sup>®</sup> PRO



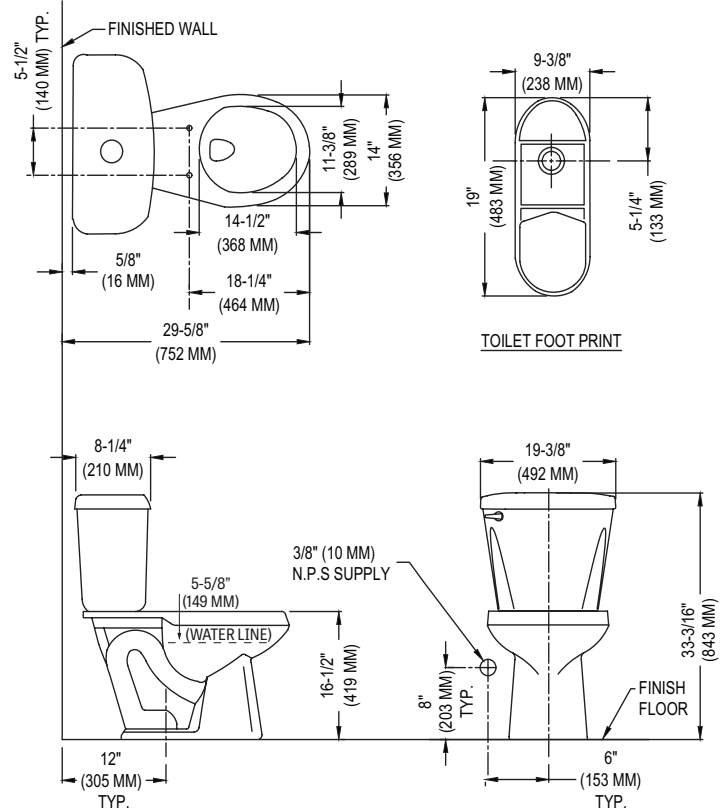
Elongated Front, SmartHeight™, Vitreous China, Two-Piece Toilet

## SPECIFICATIONS

| MODEL # | DESCRIPTION  | CODES/STANDARDS   |
|---------|--|---|
| 384-376 | Elongated front, SmartHeight™ (1.6 gpf/6.0 lpf) two-piece toilet |   |

|                             |                                 |                        |  |
|-----------------------------|---------------------------------|------------------------|--|
| <b>MATERIAL</b>             | Vitreous China                  | <b>TRAP DIAMETER</b>   | 2'   |
| <b>WATER PRESSURE RANGE</b> | 20 to 80 PSI                    | <b>TRAP SEAL</b>       | 2-3/8'   |
| <b>FLUSH SYSTEM</b>         | MagnaFlush™ flushing technology | <b>SHIPPING WEIGHT</b> | Model 384 - 54 lbs. (24.4 kg)<br>Model 376 - 36 lbs. (16.3 kg)     |
| <b>WATER USAGE</b>          | 1.6 gpf / 6.0 lpf               | <b>WARRANTY</b>        | Vitreous China - Limited Lifetime<br>Tank Trim - Limited Five Year |
| <b>WATER SURFACE AREA</b>   | 9' X 10'                        |                        |  |
| <b>ROUGH-IN</b>             | 12'                             |                        |  |
| <b>MAP RATING</b>           | 1,000 grams                     |                        |  |

| TANK OPTIONS   | TECHNICAL INFORMATION   |
|--|---|
| 376RH<br>Variation of model 376, with right hand trip lever. | <b>Note:</b> these dimensions are nominal and subject to change without notice. |



Fixture performance and specifications meet or exceed ASME A112.19.2-2013/CSA B45.1-13 standards, and other state and local codes.

