

380-376 SUMMIT® PRO

MANSFIELD®

Round Front, Vitreous China, Two-Piece Toilet

FEATURES

- High performance MagnaFlush™ flushing technology
- SmartFasten™ 3-bolt tank-to-bowl connection
- 1.6 gpf / 6.0 lpf low water consumption
- Round front bowl
- PuraClean® easy-to-clean glaze
- Fluidmaster® pilot operated anti-siphon fill valve
- 3" Rigid Flapper flush valve – requires less force to flush, is more consistent and uses a simple universal repair part/seal
- Model 59 color match, metal trip lever
- 12" rough-in
- 2" glazed trapway
- The Mansfield® limited lifetime warranty on china, Five-year limited warranty on tank trim
- Available in White



MODEL 380-376

Toilet seat not included



ROUND

COMPONENTS

MODEL #	DESCRIPTION	CODES/STANDARDS
380-376	Round front, two-piece toilet. Less toilet seat and supply.	
380	Round front toilet bowl only. Less toilet seat.	
376	Tank and cover only, with left hand, front-mount, color match, metal trip lever. Less supply.	
TANK TRIM & REPLACEMENT PARTS		
59	Trip lever - color match, metal trip lever, left hand	
2037-1212	Summit® 1.6 rigid flapper flush valve	
400A	Fluidmaster® pilot anti-siphon fill valve	
2206	Pilot operated fill valve	
630-0030	Replacement flush valve seal	
386-LID	Tank lid	




380-376 SUMMIT® PRO



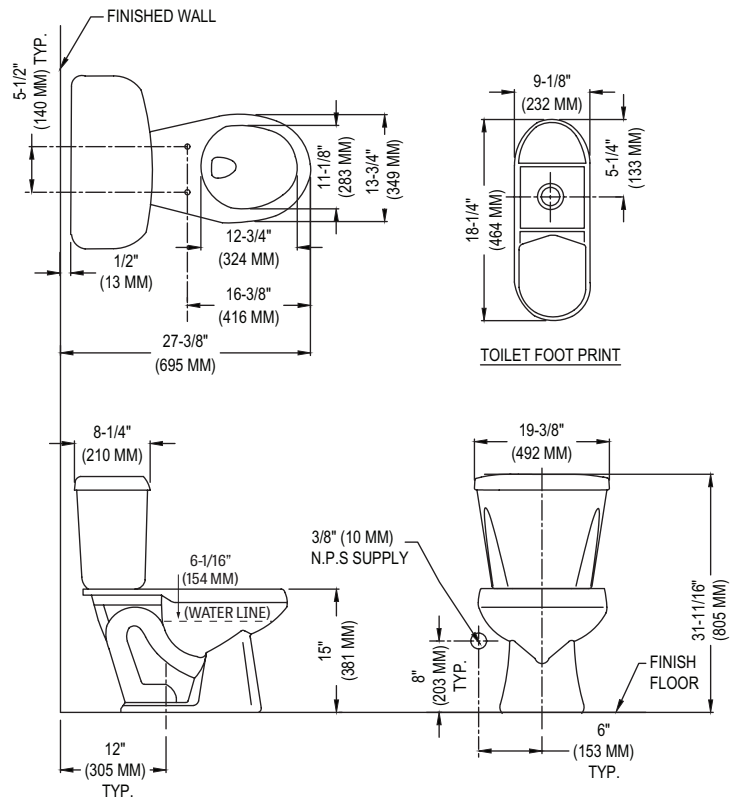
Round Front, Vitreous China, Two-Piece Toilet

SPECIFICATIONS

MODEL #	DESCRIPTION	CODES/STANDARDS
380-376	Round front, (1.6 gpf/6.0 lpf) two-piece toilet	

MATERIAL	Vitreous China	TRAP DIAMETER	2'
WATER PRESSURE RANGE	20 to 80 PSI	TRAP SEAL	2-1/4'
FLUSH SYSTEM	MagnaFlush™ flushing technology	SHIPPING WEIGHT	Model 380 - 49 lbs. (22.2 kg) Model 376 - 36 lbs. (16.3 kg)
WATER USAGE	1.6 gpf / 6.0 lpf	WARRANTY	Vitreous China - Limited Lifetime Tank Trim - Limited Five Year
WATER SURFACE AREA	8' X 9'		
ROUGH-IN	12'		
MAP RATING	1,000 grams		

TANK OPTIONS		TECHNICAL INFORMATION	
376RH	Variation of model 376, with right hand trip lever.	Note: these dimensions are nominal and subject to change without notice.	



Fixture performance and specifications meet or exceed ASME A112.19.2-2013/CSA B45.1-13 standards, and other state and local codes.

