

# IMPORTANT HOME OWNER INFORMATION

## THE WHITLEY COLLECTION FREESTANDING BATHS










Installation, Use and Care Guide

 **MANSFIELD™**

# WARNING - IMPORTANT SAFETY INSTRUCTIONS

## IMPORTANT SAFETY INSTRUCTIONS READ AND FOLLOW ALL INSTRUCTIONS

SAVE THESE INSTRUCTIONS.

-  WARNING: RISK OF ACCIDENTAL INJURY OR DROWNING; CHILDREN SHOULD NOT USE BATHTUB WITHOUT ADULT SUPERVISION.
-  WARNING: TO AVOID INJURY, EXERCISE CARE WHEN ENTERING OR EXITING THE BATHTUB.
-  WARNING: RISK OF ACCIDENTAL INJURY OR DROWNING; DO NOT USE DRUGS OR ALCOHOL BEFORE OR DURING THE USE OF A BATHTUB TO AVOID UNCONSCIOUSNESS AND POSSIBLE DROWNING.
-  WARNING: RISK OF FETAL INJURY; PREGNANT OR POSSIBLE PREGNANT WOMEN SHOULD CONSULT A PHYSICIAN BEFORE USING A BATHTUB.
-  WARNING: RISK OF HYPERTHERMIA AND POSSIBLE DROWNING; DO NOT USE A BATHTUB IMMEDIATELY FOLLOWING STRENUOUS EXERCISE.
-  The causes, symptoms, and effects of hyperthermia may be described as follows: Hyperthermia occurs when the internal temperature of the body reaches a level several degrees above the normal body temperature of 98.6° F. The symptoms of hyperthermia include an increase in the internal temperature of the body, dizziness, lethargy, drowsiness and fainting. The effects of hyperthermia include:
  - a. Failure to perceive heat
  - b. Failure to recognize the need to exit the bathtub,
  - c. Unawareness of impending hazard,
  - d. Fetal damage in pregnant women,
  - e. Physical inability to exit the bathtub, and
  - f. Unconsciousness resulting in the danger of drowning
-  WARNING: The use of alcohol, drugs, or medication can greatly increase the risk of fatal hyperthermia.

# INSTALLATION GUIDE

Thank you for your purchase of our Mansfield™ Whitley™ Collection freestanding bathtub. Please read this owner's manual in its entirety. By following the installation and easy care and maintenance instructions, we know that you will enjoy your bathtub for many years to come.

Please locate and record your serial number. It is located on the serial number sticker on the bottom of the bathtub and on the side wall of the bathtub. Your serial number can be written in the back of this manual for safekeeping.

If the need arises, you will need to provide the serial number for our Customer Service Department to be able to help you. They can be reached at 877-850-3060.

Thank you again for choosing Mansfield Plumbing Products.

## **BEFORE YOU START**

Read the instructions completely prior to beginning installation.

1. Carefully inspect the bath thoroughly for any damage, missing parts, breakage or scratches that may have occurred during shipping or handling. If necessary, file a claim immediately with the freight carrier.
2. Physically measure the unit and verify against the specification sheet. Specifications are +/- 1/4". (Specs are subject to change without notice).
3. Water test all baths before proceeding with installation. Each unit has been tested in our facility to ensure it is water tight. However, rough handling during shipping may cause leaks.

If you have any questions, discover any damage, leaks, missing parts, etc., do not proceed with installation. Call our Customer Service Department at 877-850-3060. We will be happy to help you.

Thank you for purchasing our product and taking the time to read these instructions. For the best quality installation, we recommend you use professional carpenters and licensed plumbers.

## **SHIPPING PROTECTION OF THE BATH**

Mansfield provides protective materials around the bath product to protect the unit from damage during shipping and installation. The use of protective material during installation is highly recommended to prevent any unnecessary damage such as scratches, abrasions or cracks.

# INSTALLATION GUIDE

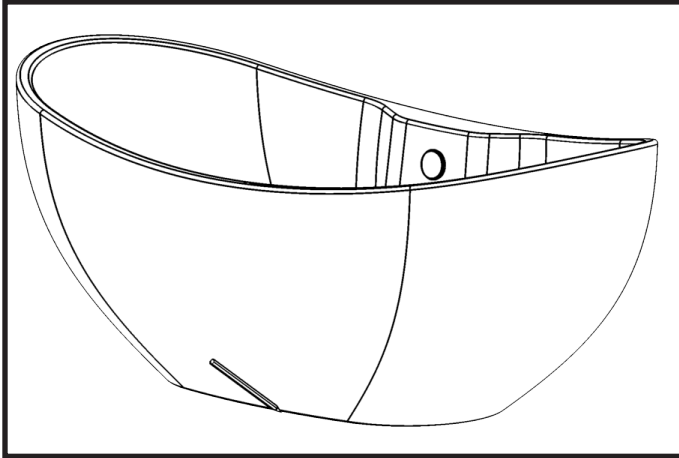


FIGURE 1

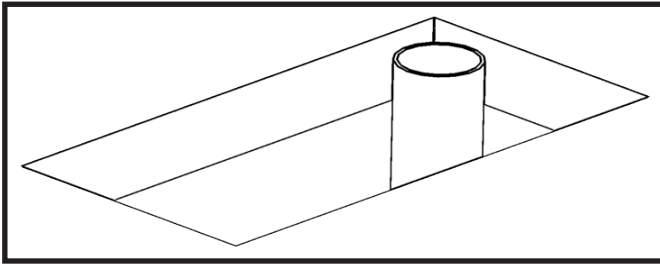


FIGURE 2

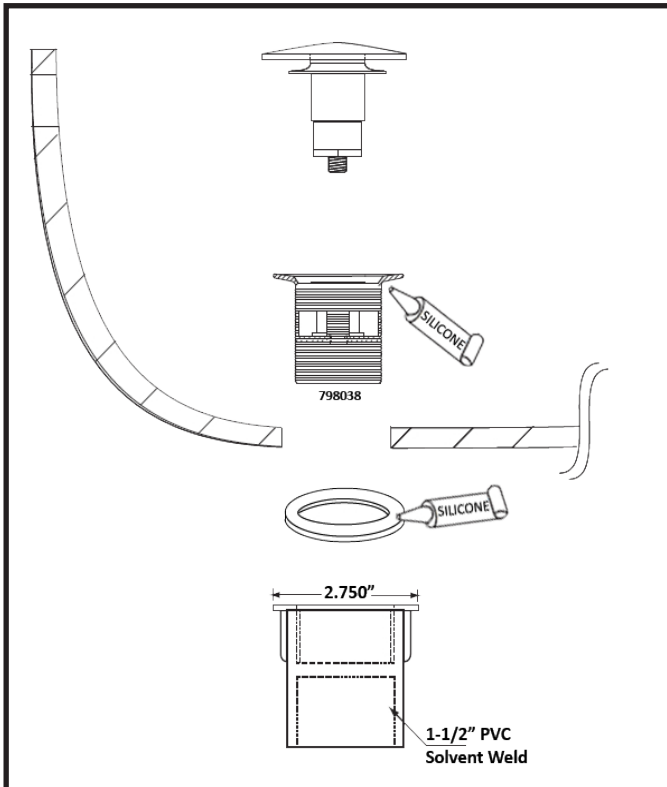


FIGURE 3

1. Always have two people when moving and maneuvering the bathtub.
2. Determine the location where the bathtub is to be installed. Ensure the location is flat, level and structurally sound. Clean and prepare the floor for installation.
3. Place the bathtub in the exact location of installation and trace the outline of the bottom of the bathtub with a pencil or erasable marker. See Figure 1.
4. Gently turn the bathtub upside down. Always make sure to put the tub on a carpet or piece of cardboard to prevent surface damage to the bathtub.
5. The bathtub legs will sit on the finished floor. Adjust the leveling legs by turning clockwise or counter-clockwise until they provide a gap between the floor and the shell of at least 1/4" (5 mm).
6. Return the bathtub where the top side is up and proceed with the leveling of the tub. Make sure there is a final gap of at least 1/8" (3 mm) between the shell and the floor. The tub shell **cannot** rest on the floor.
7. The drain will sit approximately 1/2" to 1-1/2" below the finished floor. Determine the location of the drain pipe by taking measurements of the drain and waste location underneath the bathtub. The size of the floor cutout must allow for the entire drain to clear. See Figure 2.
8. Place a rug, blanket or other soft material on the floor to protect the acrylic finish of the bathtub. Turn the bathtub on its side so that it is properly supported during drain installation.
9. Clean the area around the drain hole in preparation to set the drain. The area should be clean, dry and free from any debris.
10. Install drain: Measure and dry fit all connections. Use silicone sealant under tub drain. See Figure 3. Place rubber gasket on overflow straight connector using silicone and thread in drain. Thread in stopper.

# INSTALLATION GUIDE

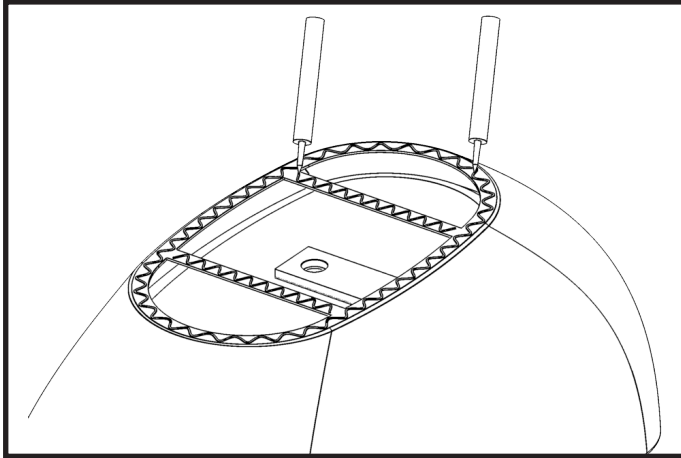


FIGURE 4

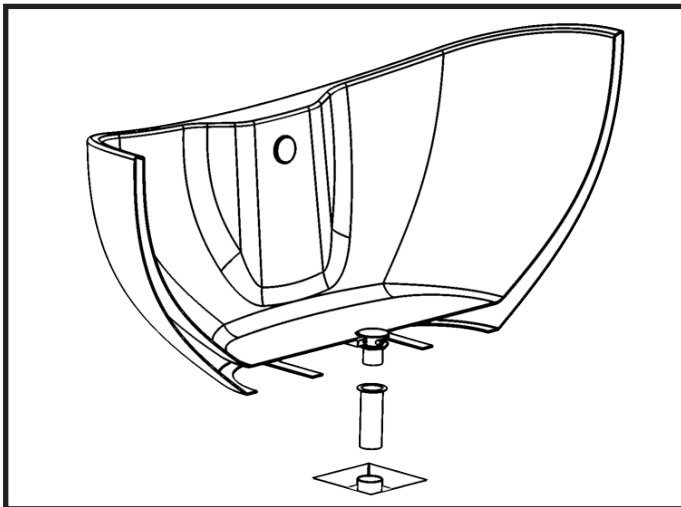


FIGURE 5

11. Install faucetry (not supplied).
12. To install faucets on the deck area, flexible connection lines that are 72" in length must be used. Use caution when drilling for the faucet to ensure the side wall of the bathtub is not damaged. Use extra caution if installing the faucet on the same side as the overflow. make sure there is no interference between the faucet and the overflow.
13. If possible, it is best to have access from below the bathtub. (If no access to install from below, skip to step #19).
14. Using clear silicone or construction adhesive, apply a  $\frac{3}{8}$ " bead to the bottom of the bathtub to adhere it to the floor. See Figure 4.
15. Cautiously lower the bathtub so the drain drops through the opening in the floor. See Figure 4.
16. Be careful to not allow silicone to get on the outside wall of the bathtub or floor area. Immediately wipe any excess with a clean, damp cloth.
17. Connect the drain to the P-trap from below.
18. Installation is complete. Water test to ensure the bathtub is leak free. Allow to set for 24 hours before use.
19. If installing bathtub without access from below: Place two 2x4 boards underneath the bathtub to elevate it above the floor and align the drain with the P-trap. It is very important to not allow the bathtub to rest on the drain plumbing.
20. Using clear silicone or construction adhesive, apply a  $\frac{3}{8}$ " bead to the bottom of the bathtub to adhere it to the floor. Be careful to not allow silicone to get on the outside wall of the tub or floor area. Immediately wipe any excess with a clean, damp cloth. See Figure 4.
21. Using caution, remove the 2x4 supports and lower the bathtub so the drain drops into the P-trap adapter. See Figure 5.
22. Installation is complete. Water test to ensure the bath is leak free. Allow to set for 24 hours before use.

## CARE AND MAINTENANCE

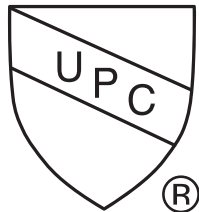
Your Mansfield Freestanding bathtub is made from cast acrylic. Cast acrylic provides a beautiful, high-gloss finish that is extremely durable and is a beautiful look in any bathroom.

**IMPORTANT!** Use the recommended information described in this section. Use of other cleaning materials and/or methods may harm your bathtub and will void your warranty. The surface will retain its color and gloss indefinitely with normal use, but some bathroom cleaning agents will cause harm.

Because of the detrimental effects that mineral deposits, soap scum and hard water stains have on finished surfaces, it is important to keep your bathtub and the fixtures of your Mansfield Freestanding bath clean on a regular basis. Once a week, wash all exposed surfaces of the bathtub with a mild solution of vinegar and water. Check for stubborn spots. Oily or greasy spots can be lifted with denatured alcohol. Wipe off with clear, warm water and dry with soft cloth.

**WARNING:** Under no circumstances should wire brushes, metal sponges, knives, steel wool or scouring pads be used on any part of the bath, nor petroleum based solvents such as paint thinner, acetone or abrasive cleaners. All of the afore mentioned products and the like will damage the finish of the bathtub.

## CODE COMPLIANCE



Accepted by the "Plumbing Research Committee" of the International Association of Plumbing and Mechanical Officials as meeting the requirements of the Uniform Plumbing Code. (For Acrylic Bath Shells). Listed 2719

## SERIAL NUMBER

---

Locate and retain your serial number for any future warranty service needs

# WARRANTY

## **Mansfield Plumbing Products Bathware – Mansfield Freestanding baths Residential Warranty**

Mansfield Plumbing Products, LLC offers the following expressed warranty to the original purchaser of any Mansfield Freestanding bath who purchases the product for personal or single family residential use (“user”). We will repair or replace, at our sole option, the product in accordance with the following terms and conditions.

### **TEN (10) YEAR WARRANTY FOR ACRYLIC SHELL**

Mansfield Plumbing Products, LLC extends to the user of the product a non-transferable Ten (10) year warranty from the date the product was originally purchased by the user that the shell will maintain its structural integrity and be free of water loss due to a defect in the tub shell. This warranty covers only the product shell against defects in material or workmanship.

### **WARRANTY LIMITATIONS**

In no event shall Mansfield Plumbing Products, LLC be liable for incidental or consequential damages, for damages resulting from improper installation or for damages caused by handling, neglect, abuse or alteration. Our warranty does not cover defects or damage caused by the common carrier, installer, user or other persons resulting from, without limitation: careless handling, improper voltage supply/electrical modifications, misuse; incorrect operation; lack of or improper routine maintenance; incorrect or inadequate water use or use of improper cleaners. Chips, cracks and scratches are damages and are not covered under warranty; however, they may be repaired by a qualified technician at the user’s expense. Damages or defects that should have been detected before installation are not covered. All implied warranties, including any warranty of fitness for any particular purpose of merchantability, or those that might arise from a course of dealing with the purchaser or usages of trade, are hereby disclaimed or excluded.

Mansfield Plumbing Products, LLC is not responsible or liable for any delays or any failure to perform due to unforeseen circumstances or causes beyond Mansfield Plumbing Products, LLC control, when such delays or failure is due, directly or indirectly, to acts of God, war (including civil war), riots, embargoes, acts (whether sovereign or contractual) of civil or military authorities, acts of any government, major change in economic conditions, fires, floods, explosions, the elements, epidemics quarantine restrictions, strikes, lockouts, plant shutdowns, slowdowns, accidents, shortages of raw energy, materials, component parts, labor, or delays of suppliers or subcontractors.

Note: Some states do not allow limitations on an implied warranty, and some states do not allow exclusions or limitations regarding incidental or consequential damages, so the above limitations may not apply to you. This warranty gives you specific legal rights and you may have other rights which vary from state to state. No person is authorized to change, add to, or create any warranty or obligation other than set forth herein. This is our exclusive warranty.

### **RESPONSIBILITIES OF OTHERS**

Inspecting the unit prior to installation is the responsibility of the installer or building contractor who acts on behalf of the user. They are responsible for ensuring the unit is free of defect or damage. Notices are placed on and in the unit and on the shipping carton advising the installer of this responsibility. In the event of a problem, the unit must not be installed. The Company is not responsible for failures or damage that could have been discovered, repaired, or avoided by proper inspection and testing (including proper water testing) prior to installation.

Damage occurring in transit is the responsibility of the carrier. The user or installer MUST open the crate and inspect the unit for damage when it is delivered. If damage is discovered, it must be reported immediately to the seller and the carrier in writing, and an inspection requested. Failure of the carrier to respond should be reported to the seller and the carrier. Your freight claims should be filed promptly thereafter.

It is the responsibility of the installer, building contractor, or user to provide access for service. Mansfield Plumbing Products, LLC is not responsible for any costs relating to obtaining access for repair.

### **WARRANTY SERVICE**

Mansfield Plumbing Products, LLC maintains a list of independent service personnel to perform required warranty service repairs. Such firms are not agents or representatives of Mansfield Plumbing Products, LLC and cannot bind us by words or conduct. We will provide warranty service when Mansfield Plumbing Products, LLC has been notified of the problem during the active warranty period and deemed the problem to be of the nature or type covered by the warranty.

The product serial number, users address and contact information must be provided to obtain warranty service.



**CUSTOMER SERVICE**

Phone: (877) 850-3060

Fax: (419) 938-6234

[www.mansfieldplumbing.com](http://www.mansfieldplumbing.com)