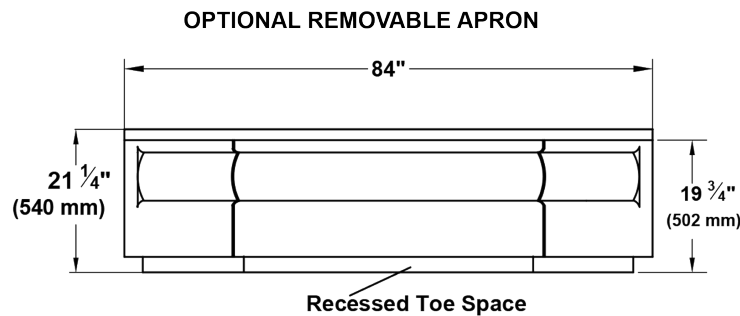
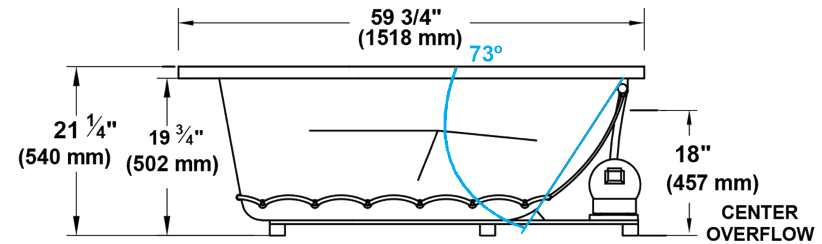
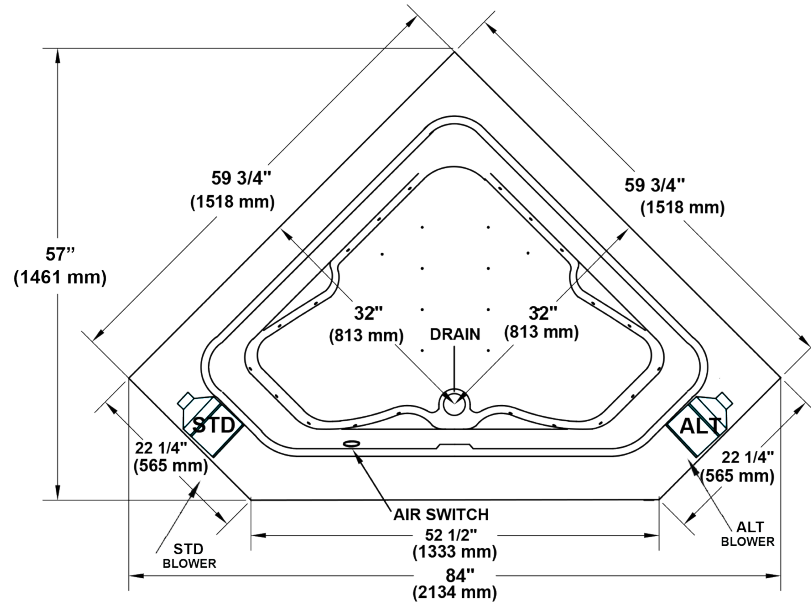


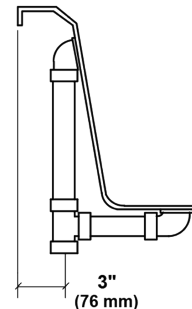
PRO-FIT® AIR MASSAGE BATH

6060 59 3/4" x 59 3/4" x 21 1/4"

Model number: 6439



PLUMBING ROUGH-IN



NOTES:

1. Blower locations shown for clarity. STD - Standard location; ALT - Alternate location
2. Required blower motor access is 20" W x 15" H.
3. Measurements may vary 1/4" (+/-).
4. If a factory installed nailing flange is added to a unit, add 1/8" to each side flanged.
5. Optional removable apron is available.

SPECIFICATIONS:

Dimensions:	59 3/4" x 59 3/4" x 21 1/4"	Number of air jets:	31
Material:	Acrylic, fiberglass reinforced	Weight:	130 lbs. (59 kg)
Blower Motor:	120 V, 60 HZ, 8.0 Amp, Single Speed, 200 Watt Single Phase - Premounted	Water Capacity:	85 gals max., 60 gals min. (323 liters/228 liters)
Electrical Requirements:	120 V, 15 Amp, GFCI Protected	Floor Loading:	47 lbs./sq.ft. (229 kg/m ²)
On/Off Control:	Air Switch	Shipping Weight:	170 lbs. (77 kg)