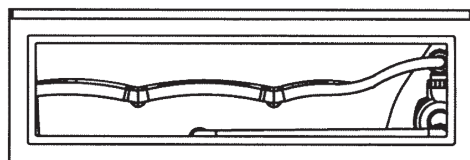
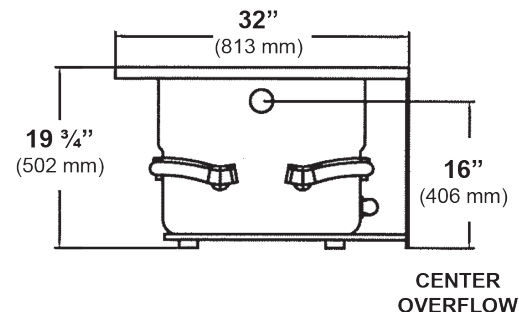
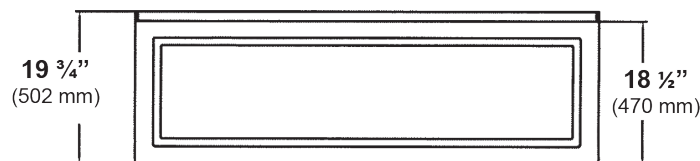
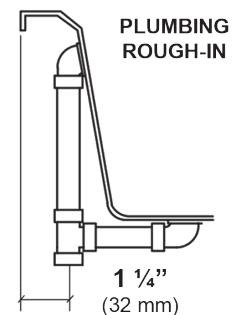
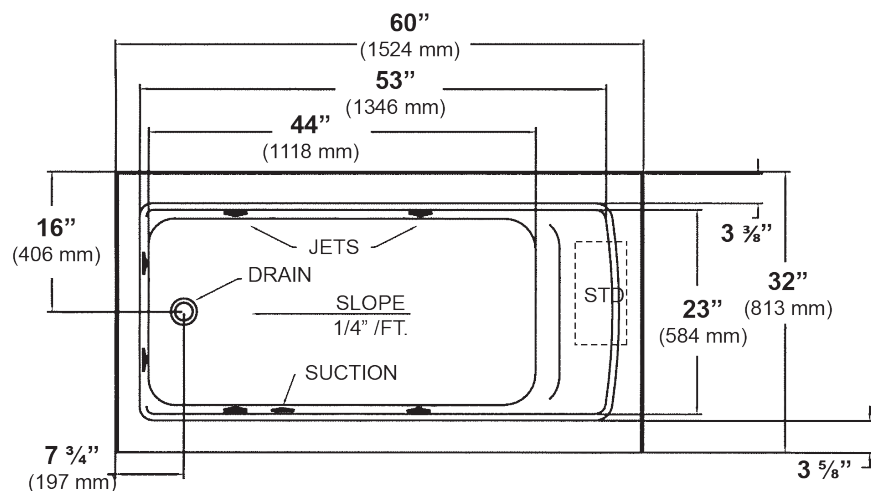


PRO-FIT® WHIRLPOOL & BATHTUB
3260 TFS NCA 60" x 32" x 19 3/4"
Model number: 6151/6651 LH, 6152/6652 RH



NOTES:

1. Pump location shown for clarity.
2. Required pump motor access is 20" W x 15" H.
3. Measurements may vary 1/4" (+/-).
4. Apron is integral with optional removable access panel.
5. Removable access panel provides access to blower/motor.
6. Specify LH or RH drain when ordering.

SPECIFICATIONS:

| | | | |
|---------------------------------|--|-------------------------|--|
| Dimensions: | 60" x 32" x 19 3/4" | Number of jets: | 6 |
| Material: | Acrylic, fiberglass reinforced | Weight: | 60 lbs. (161 kg) |
| Pump Motor: | 120 V, 60 HZ, 5.0 Amp, Single Speed, Premounted | Water Capacity: | 42 gals max., 27 gals min. 160 liters/103 liters) |
| Electrical Requirements: | 120 V, 15 Amp, GFCI Protected | Floor Loading: | 47 lbs./sq.ft. (229 kg/m ²) |
| On/Off Control: | Air Switch | Shipping Weight: | 125 lbs. (335 kg)/100 lbs. (268 kg) |