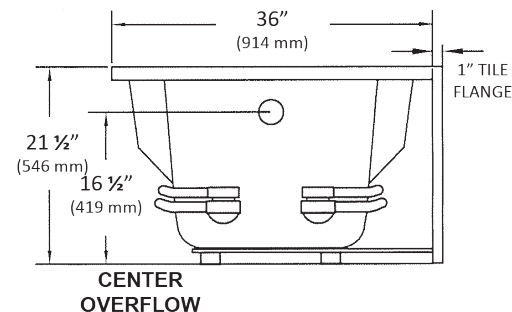
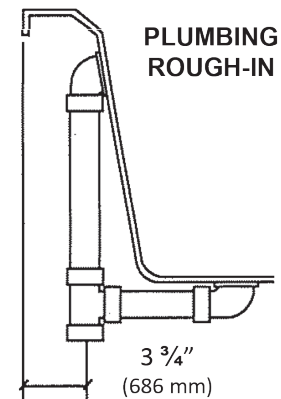
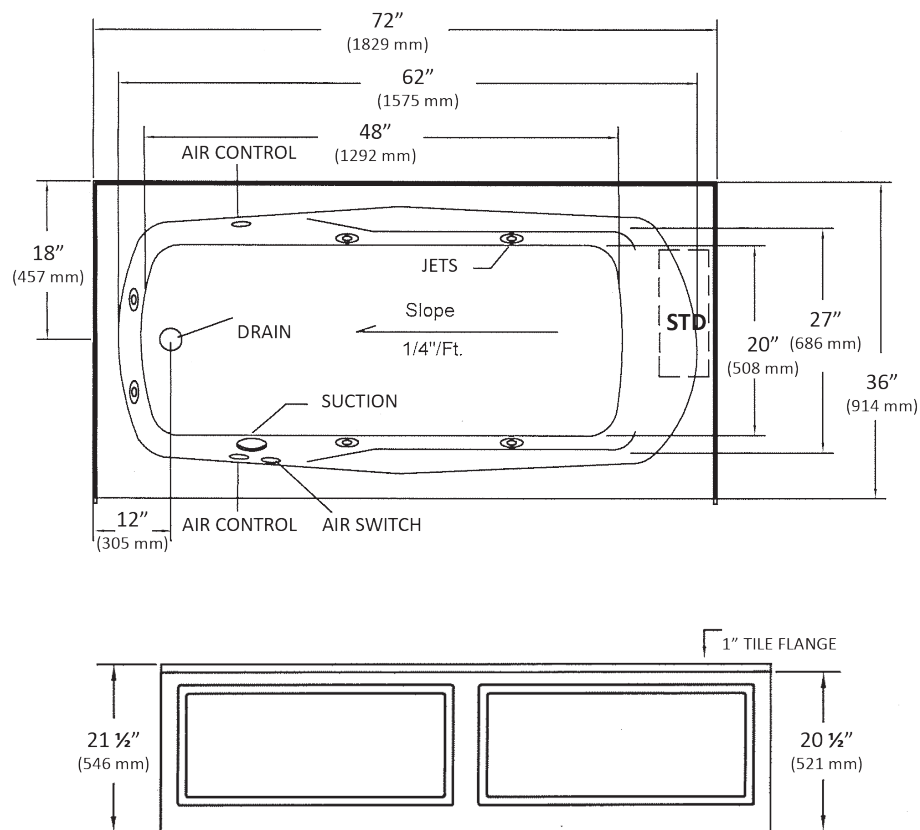


# PRO-FIT® WHIRLPOOL & BATHTUB

3672 TFS 72" x 36" x 21 1/2"

Model number: 6122/6622 RH, 6123/6623 LH



**NOTES:**

1. Pump location shown for clarity.
2. Required pump motor access is 20" W x 15" H.
3. Measurements may vary 1/4" (+/-).
4. Apron is integral with optional removable access panels.
5. Removable access panel provides access to blower/motor.
6. Specify LH or RH drain when ordering.

**SPECIFICATIONS:**

<b>Dimensions:</b>	72" x 36" x 21 1/2"	<b>Number of jets:</b>	6
<b>Material:</b>	Acrylic, fiberglass reinforced	<b>Weight:</b>	125 lbs.
<b>Pump Motor:</b>	120 V, 60 HZ, 6.0 Amp, Single Speed, Premounted	<b>Water Capacity:</b>	52 gals max., 27 gals min.
<b>Electrical Requirements:</b>	120 V, 15 Amp, GFCI Protected	<b>Floor Loading:</b>	47 lbs./sq.ft.
<b>On/Off Control:</b>	Air Switch	<b>Shipping Weight:</b>	155 lbs.