

4115-106 BARRETT™

MANSFIELD®

Elongated Front, SmartHeight™ Vitreous China, Two-Piece Toilet

FEATURES

- Concealed trapway for easier cleaning
- 1.6 gpf / 6.0 lpf low water consumption
- Elongated front, SmartHeight™ bowl
- Complies with ADA requirements for accessibility
- High performance MagnaFlush™ flushing technology
- 3" flush valve
- Pilot operated anti-siphon fill valve
- 12" rough-in
- Model 69 side-mount metal trip lever
- 2-1/8" glazed trapway
- The Mansfield® limited lifetime warranty
- Available in White, Biscuit and Bone



MODEL 4115-106

Toilet seat not included





ELONGATED



SMARTHEIGHT ADA

COMPONENTS



MODEL #	DESCRIPTION	CODES/STANDARDS
4115-106	Elongated front, SmartHeight™, two-piece toilet. Less toilet seat and supply. Specify color.	 
4115	Elongated front, SmartHeight™ toilet bowl only. Less toilet seat and supply. Specify color.	
106	Tank and cover only, with left hand, side-mount, chrome-plated, metal trip lever. Less supply. Specify color.	
TANK TRIM & REPLACEMENT PARTS		
69	Trip lever - side-mount, chrome-plated, metal trip lever, left hand	
2206	Pilot operated fill valve	
630-0207	Replacement flapper	
106-LID	Tank lid	

4115-106 BARRETT™



Elongated Front, SmartHeight™ Vitreous China, Two-Piece Toilet

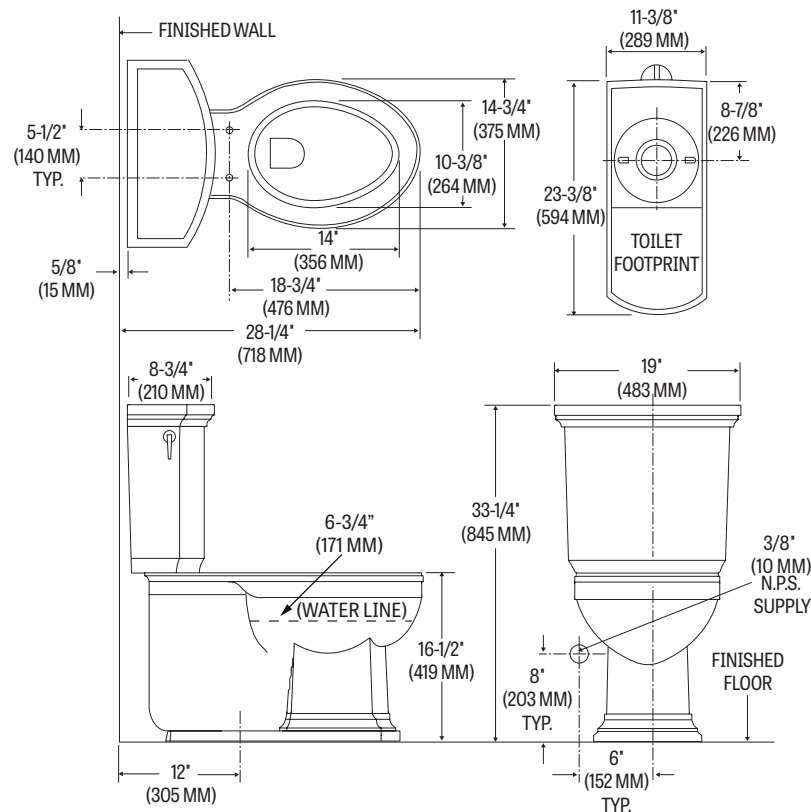
SPECIFICATIONS

MODEL #	DESCRIPTION	CODES/STANDARDS
4115-106	Elongated front, SmartHeight™ (1.6gpf/6.0 lpf) two-piece toilet	  ADA COMPLIANT

MATERIAL	Vitreous China	TRAP DIAMETER	2-1/8"
WATER PRESSURE RANGE	20 to 80 PSI	TRAP SEAL	2-1/4"
FLUSH SYSTEM	MagnaFlush™ flushing technology	SHIPPING WEIGHT	Model 4115- 69 lbs. (31 kg) Model 106- 40 lbs. (18 kg)
WATER USAGE	1.6 gpf / 6.0 lpf	WARRANTY	Vitreous China - Limited Lifetime Tank Trim - Limited One Year
WATER SURFACE AREA	8-1/4" X 10-3/8"		
ROUGH-IN	12"		
MAP RATING	800 grams		

TECHNICAL INFORMATION

Note: these dimensions are nominal and subject to change without notice.



Fixture performance and specifications meet or exceed ASME A112.19.2-2013/CSA B45.1-13 standards, and other state and local codes.