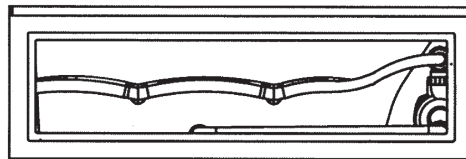
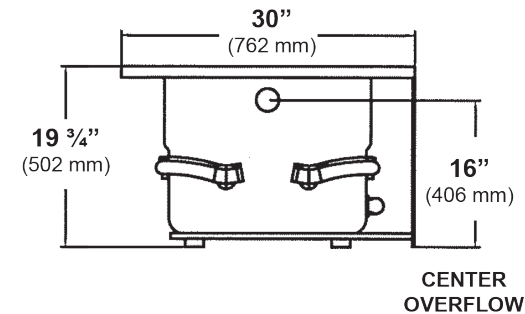
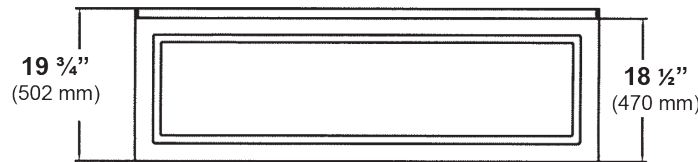
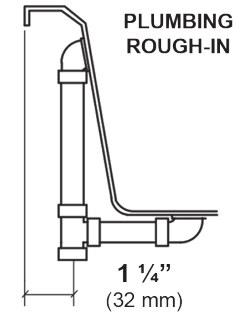
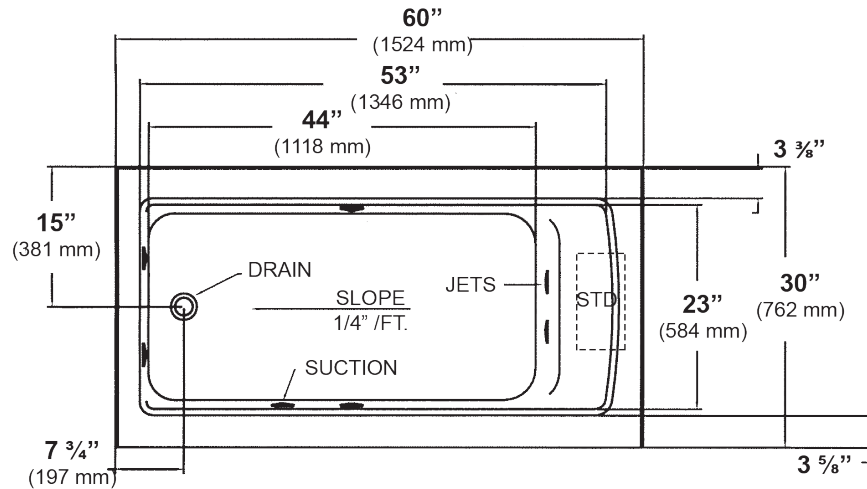


PRO-FIT® WHIRLPOOL & BATHTUB
3060 TFS NCA 60" x 30" x 19¾"
Model number: 6106/6606 RH, 6107/6607 LH



NOTES:

1. Pump location shown for clarity.
2. Required pump motor access is 20" W x 15" H.
3. Measurements may vary 1/4" (+/-).
4. Apron is integral with optional removable access panel.
5. Removable access panel provides access to blower/motor.
6. Specify LH or RH drain when ordering.

SPECIFICATIONS:

Dimensions:	60" x 30" x 19 ¾"	Number of jets:	6
Material:	Acrylic, fiberglass reinforced	Weight:	60 lbs. (161 kg)
Pump Motor:	120 V, 60 HZ, 6.0 Amp, Single Speed, Premounted	Water Capacity:	42 gals max., 27 gals min. 160 liters/103 liters)
Electrical Requirements:	120 V, 15 Amp, GFCI Protected	Floor Loading:	47 lbs./sq.ft. (229 kg/m ²)
On/Off Control:	Air Switch	Shipping Weight:	125 lbs. (335 kg)/100 lbs. (268 kg)