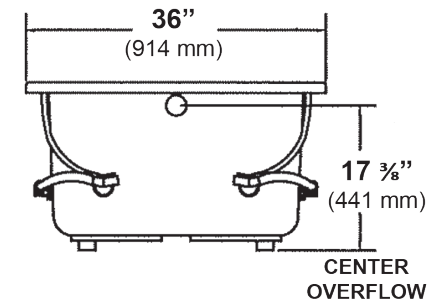
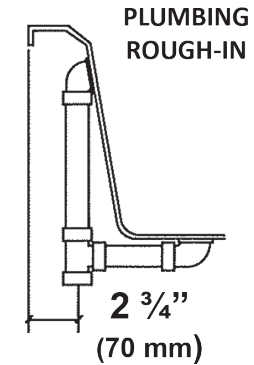
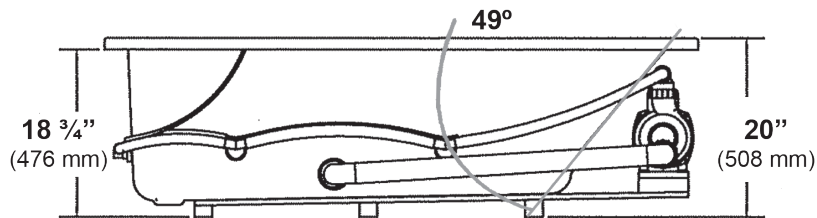
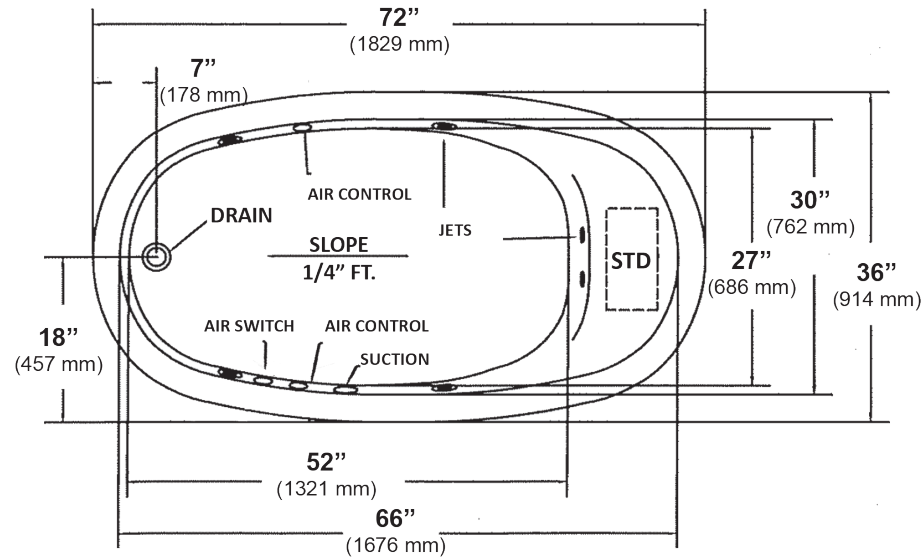


# PRO-FIT® WHIRLPOOL & BATHTUB

3672 OV 72" x 36" x 20"

Model number: 6022/6522



#### NOTES:

1. Blower location shown for clarity.
2. Required blower motor access is 20" W x 15" H.
3. Measurements may vary 1/4" (+/-).
4. Optional removable apron is not available on this unit.
5. Installer note: Due to the freeform shape of the tub shell, it is recommended that the tub be on the job site before making the final cut-out for drop-in or undermount installation.

#### SPECIFICATIONS:

<b>Dimensions:</b>	72" x 36" x 20"	<b>Number of jets:</b>	6
<b>Material:</b>	Acrylic, fiberglass reinforced	<b>Weight:</b>	47 lbs. (229 kg)
<b>Pump Motor:</b>	120 V, 60 HZ, 6.0 Amp, Single Speed, Premounted	<b>Water Capacity:</b>	77 gals max., 50 gals min.
<b>Electrical Requirements:</b>	120 V, 15 Amp, GFCI Protected	<b>Floor Loading:</b>	47 lbs./sq.ft. (229 kg/m <sup>2</sup> )
<b>On/Off Control:</b>	Air Switch	<b>Shipping Weight:</b>	154 lbs. / 134 lbs.