

385-386 SUMMIT®

MANSFIELD®



Elongated Front, SmartHeight™, Vitreous China, 10" Rough-In, Two-Piece Toilet

FEATURES

- High performance MagnaFlush™ flushing technology
- 1.6 gpf / 6.0 lpf
- Elongated front, SmartHeight™ bowl (ADA compliant)
- SmartFasten™ 3-bolt tank-to-bowl connection
- PuraClean® easy-to-clean glaze
- 3" Rigid Flapper flush valve – requires less force to flush, is more consistent and uses a simple universal repair part/seal
- Pilot operated anti-siphon fill valve
- 10" rough-in
- Model 57 chrome-plated, metal trip lever
- 2" glazed trapway
- The Mansfield® limited lifetime warranty on china; Five-year limited warranty on tank trim
- Available in White, Biscuit and Bone



COMPONENTS

MODEL #	DESCRIPTION	CODES/STANDARDS
385-386	Elongated front, SmartHeight™, two-piece toilet. Less toilet seat and supply. Specify color.	 
385	Elongated front, SmartHeight™ toilet bowl only. Less supply. Specify color.	
386	Tank and cover only, with left hand, front-mount, chrome-plated, metal trip lever. Less supply. Specify color.	
TANK TRIM & REPLACEMENT PARTS		
57	Trip lever - chrome-plated, metal trip lever, left hand	
2037-1212	Summit® 1.6 rigid flapper flush valve	
2206	Pilot operated fill valve	
630-0030	Replacement flush valve seal	
386-LID	Tank lid	





385-386 SUMMIT®



Elongated Front, SmartHeight™, Vitreous China, 10" Rough-In, Two-Piece Toilet

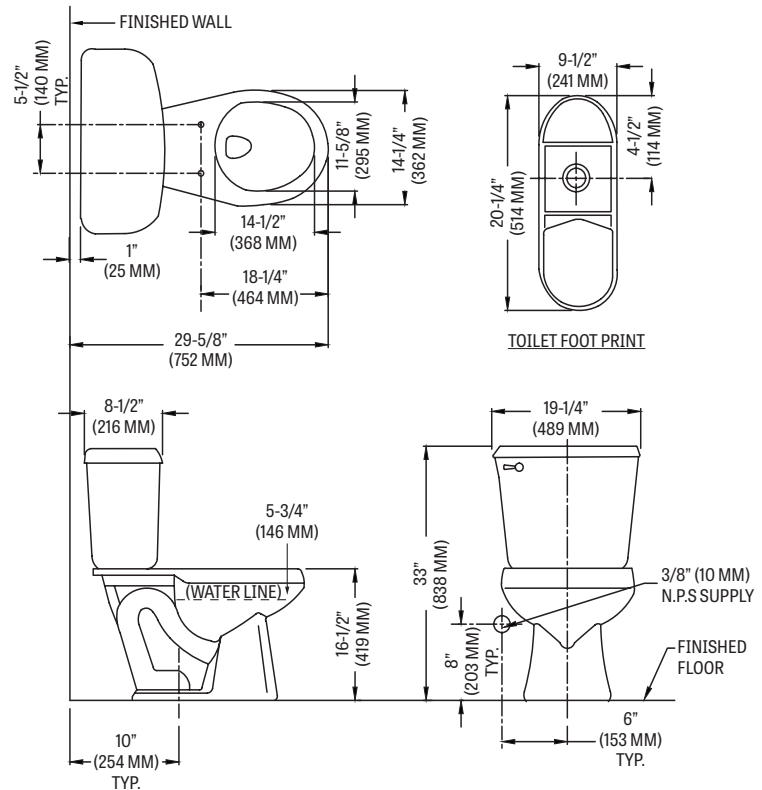
SPECIFICATIONS

MODEL #	DESCRIPTION	CODES/STANDARDS
385-386	Elongated front, SmartHeight™ (1.6 gpf/6.0 lpf) two-piece toilet	 

MATERIAL	Vitreous China
WATER PRESSURE RANGE	20 to 80 PSI
FLUSH SYSTEM	MagnaFlush™ flushing technology
WATER USAGE	1.6 gpf / 6.0 lpf
WATER SURFACE AREA	9' X 10'
ROUGH-IN	10"
MAP RATING	1,000 grams

TRAP DIAMETER	2'
TRAP SEAL	2-3/8'
SHIPPING WEIGHT	Model 385 - 54 lbs. (24.4 kg) Model 386 - 36 lbs. (16.3 kg)
WARRANTY	Vitreous China - Limited Lifetime Tank Trim - Limited Five Year

TANK OPTIONS	TECHNICAL INFORMATION				
<table border="1" style="width: 100%;"> <tbody> <tr> <td style="width: 15%;">386RH</td> <td>Variation of model 386, with right hand trip lever.</td> </tr> <tr> <td>386LT</td> <td>Variation of model 386, with tank liner.</td> </tr> </tbody> </table>	386RH	Variation of model 386, with right hand trip lever.	386LT	Variation of model 386, with tank liner.	<p>Note: these dimensions are nominal and subject to change without notice.</p>
386RH	Variation of model 386, with right hand trip lever.				
386LT	Variation of model 386, with tank liner.				



Fixture performance and specifications meet or exceed ASME A112.19.2-2013/CSA B45.1-13 standards, and other state and local codes.

