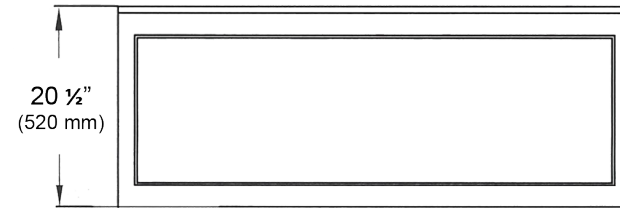
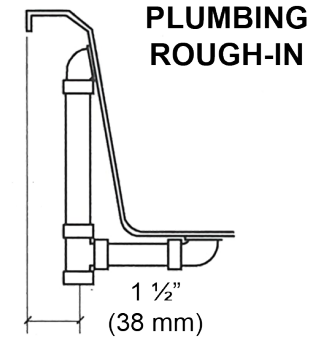
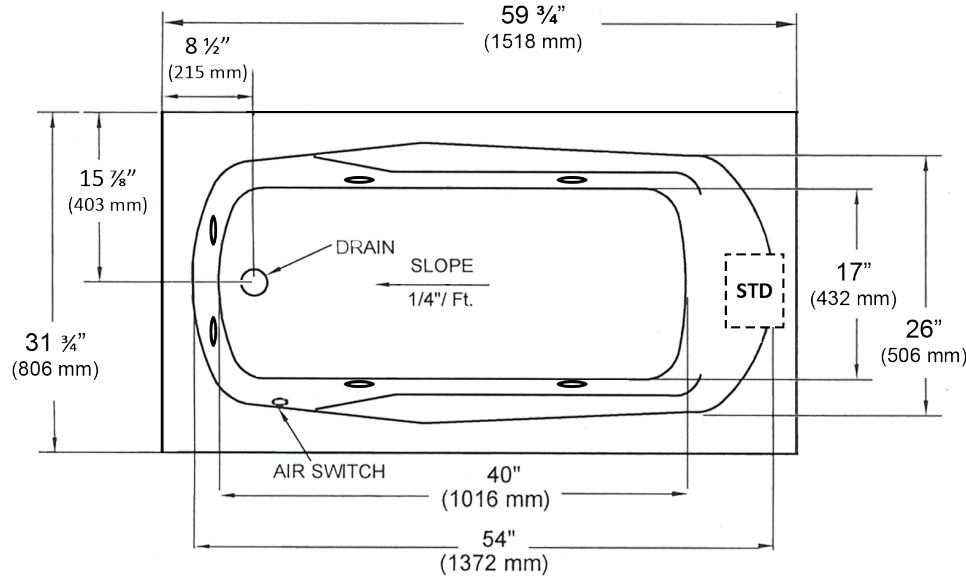


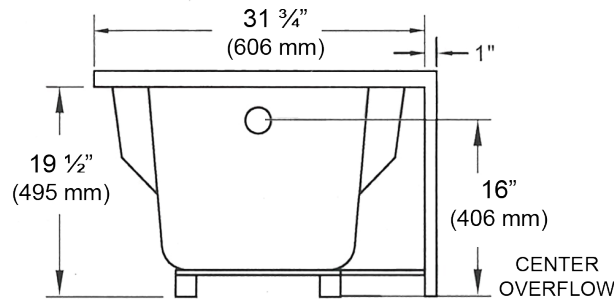
# PRO-FIT® WHIRLPOOL & BATHTUB

3260 TFS 59 3/4" x 31 3/4" x 20 1/2"

Model number: 6153/6653 LH, 6154/6654 RH



OPTIONAL REMOVABLE ACCESS PANEL  
OPENING DIMENSIONS 54" x 11"



**NOTES:**

1. Pump location shown for clarity.
2. Required pump/motor access is 20" W x 15" H.
3. Measurements may vary 1/4" (+/-).
4. Apron is integral with optional removable access panel for access to pump/motor.
6. Specify LH or RH drain when ordering.

**SPECIFICATIONS:**

<b>Dimensions:</b>	59 3/4" x 32" x 20 1/2"	<b>Number of jets:</b>	6
<b>Material:</b>	Acrylic, fiberglass reinforced	<b>Weight:</b>	90 lbs. (41 kg)
<b>Pump Motor:</b>	120 V, 60 HZ, 6.0 Amp, Single Speed, Premounted	<b>Water Capacity:</b>	42 gals max., 27 gals min. 160 liters/103 liters)
<b>Electrical Requirements:</b>	120 V, 15 Amp, GFCI Protected	<b>Floor Loading:</b>	47 lbs./sq.ft. (229 kg/m <sup>2</sup> )
<b>On/Off Control:</b>	Air Switch	<b>Shipping Weight:</b>	134 lbs. (70 kg)