

5326-4320

Elementary

Round Front, Vitreous China, Two-Piece Toilet



Features

- Juvenile toilet (11-1/4 high bowl)
- Includes a SmartClose™ toilet seat
- Includes cover lock
- 1.28 gpf / 4.86 lpf low water consumption
- Round front bowl
- High efficiency toilet
- 2" flush valve
- Pilot operated anti-siphon fill valve
- 12" rough-in
- Chrome-plated trip lever
- 1-5/8" glazed trapway
- The Mansfield limited lifetime warranty
- Available in white only






Round Front



Model 5326-4320

Includes toilet seat

Components

Model #	Description	Codes/Standards
5326-4320	Round front, two-piece toilet. Includes toilet seat. Less supply. Specify color.	 
 Elementary Toilet Seat <u>(not sold separately)</u>	<ul style="list-style-type: none"> • Closed front design with lid and cover • Round, slow close • Plastic construction • Complete with all installation hardware • Easy to clean and maintain • Available in white • The Mansfield® limited one year warranty 	<p>The product complies with the standard: ANSI Z 124.5 – 2006 for PLASTIC TOILET (WATER CLOSET) SEATS.</p> <p>Metal components such as screws, bolts, washers, nuts, etc., are tested for corrosion resistance as described in ASTM B117.</p>



5326-4320

Elementary

Round Front, Vitreous China, Two-Piece Toilet

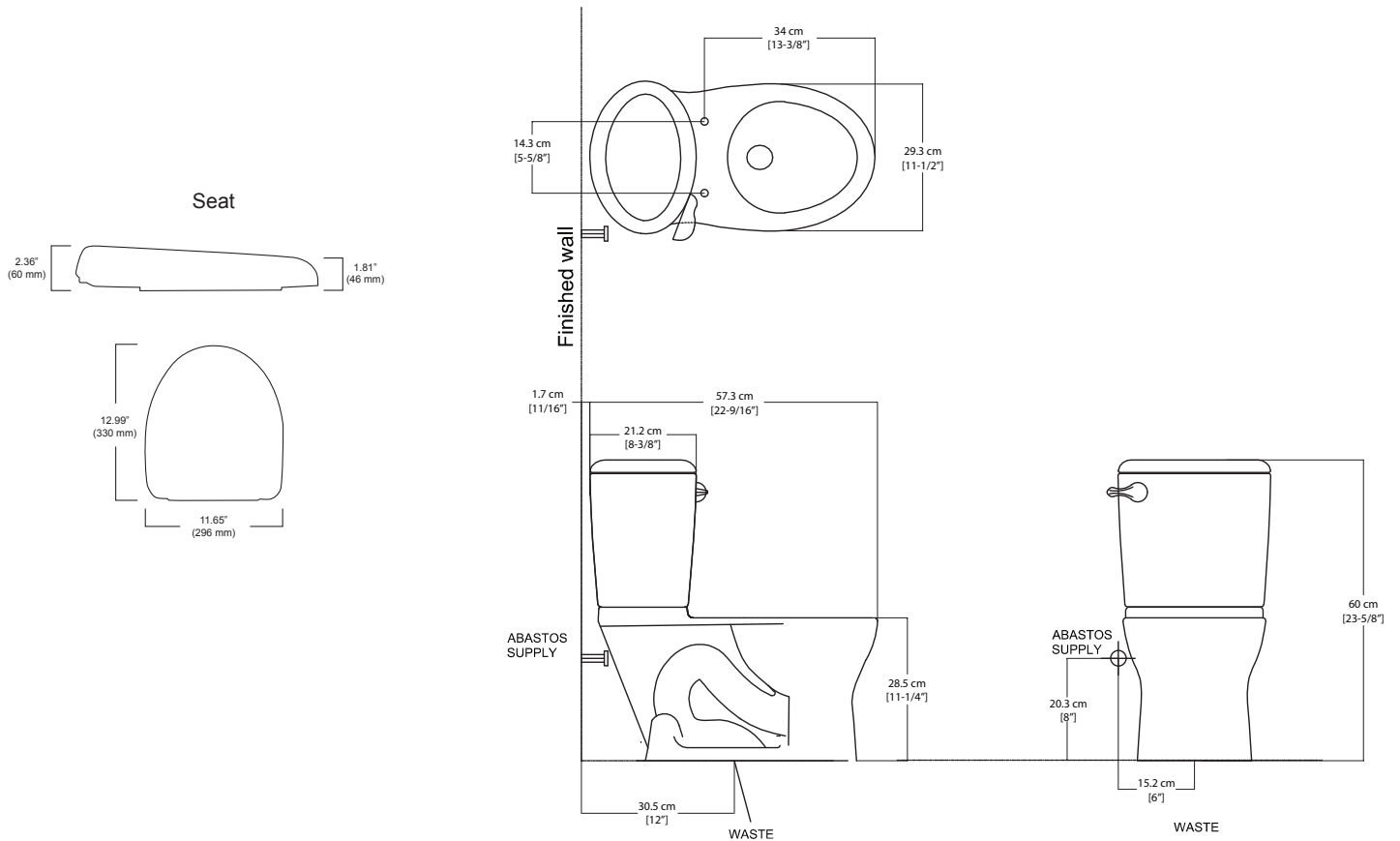


Specifications

Model #	Description	Codes/Standards
5326-4320	Round front (1.28 gpf / 4.86 lpf) two-piece toilet with Smart-Close™ toilet seat	 

Specification	Description	Specification	Description
Material	Vitreous china	Trap Diameter	1-5/8"
Water Pressure Range	20 to 80 PSI	Trap Seal	2-1/4"
Flush System	2" flush valve	Shipping Weight	Model 5326 - 34 lbs. Model 4320 - 18 lbs.
Water Usage	1.28 gpf / 4.86 lpf		
Water Surface	7-3/4" X 8"	Warranty	Vitreous china - Limited Lifetime Tank trim - Limited One Year
Rough-in	12"		

Technical Information



See our complete line of acrylic and vitreous china bathroom fixtures, plastic tank trim and plumbing products.

These dimensions are nominal and subject to change without notice.

Fixture performance and specifications meet or exceed ASME A112.19.2-2008/CSA B45.1-08 standards, and other state and local codes.