

335 MONTCLAIR




Vitreous China, Pedestal Lavatory

FEATURES

- 23-13/16" x 18-5/8" pedestal lavatory
- 20" x 12-1/2" basin
- 34-1/4" luxury height
- Rear overflow
- Available with single hole, 4" or 8" faucet centers
- Mansfield® limited lifetime warranty
- Available in White, Biscuit, and Bone



COMPONENTS


MODEL #	DESCRIPTION	CODES/STANDARDS
335	Lavatory with pedestal. Less faucet, drain assembly and supply. Specify color.	
333-1	Lavatory with single hole faucet center. Less faucet, drain assembly and supply. Specify color.	
333-4	Same as above with 4" faucet centers. Specify color.	
333-8	Same as above with 8" faucet centers. Specify color.	
334	Pedestal only. Specify color.	

335 MONTCLAIR



Vitreous China, Pedestal Lavatory

SPECIFICATIONS

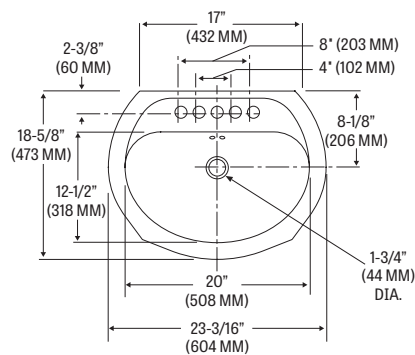
MODEL #	DESCRIPTION	CODES/STANDARDS
335	23-13/16" x 18-5/8" pedestal lavatory	


MATERIAL	Vitreous China
WARRANTY	Vitreous China - Limited Lifetime
FAUCET HOLES	Single hole, 4" or 8"

SHIPPING WEIGHT	Model 333 - 36 lbs. (14 kg) Model 334 - 28 lbs. (12 kg)
-----------------	--

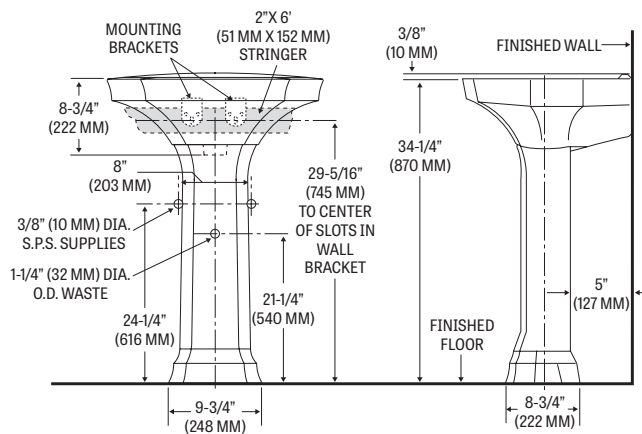
TECHNICAL INFORMATION

Note: these dimensions are nominal and subject to change without notice.



 This pedestal lavatory comes with two heavy-duty plastic mounting brackets. Easily installed and adjusted, each contains three holes for solid mounting against wall. Anchoring screws must be used for correct installation. Standard plumbing practice recommends use of both mounting brackets and anchoring screws.

NOTE: For secure installation, wall-mounting hanger should be fastened to solid, support wall stud.



Fixture performance and specifications meet or exceed ASME A112.19.2-2013/CSA B45.1-13 standards, and other state and local codes.