

151-153/154 QuantumOne™

Elongated Front, Pressure-Assist, Floor-Mount, Rear Outlet, SmartHeight™, Vitreous China, Two-Piece Toilet



Features

- Floor mount, rear outlet
- ADA compliant (with lever only)
- 1.0 gpf / 3.8 lpf water consumption
- Elongated front
- SmartHeight™ (16-1/2" high bowl) chair height
- High performance, high efficiency (HET), pressure-assist technology
- Model 47 chrome-plated push button actuator
- Also available with Model 45 left hand, chrome-plated metal trip lever or Model 49 right hand, chrome-plated metal trip lever
- 1-7/8" glazed trapway
- The Mansfield® limited lifetime warranty
- Available in White and Standard Colors: Biscuit and Bone



Model 153 Tank
Shown with Model 45
left hand trip lever



Model 153RH Tank
Shown with Model 49
right hand trip lever

Elongated Front



Model 151-153
Toilet seat not included

Components

Model #	Description	Codes/Standards
151-154	Elongated front, rear outlet, pressure-assist, two-piece toilet. Less toilet seat and supply. Specify color.	
151	Elongated front, rear outlet toilet bowl only. Less toilet seat. Specify color.	
154	Pressure-assist tank and cover only with chrome-plated plastic push button actuator. Less supply. Specify color.	
153	Same as model 154, except with left hand, chrome-plated, metal trip lever.	
153RH	Same as model 153, except with right hand trip lever.	








MADE IN USA

151-153/154 QuantumOne™

Elongated Front, Pressure-Assist, Floor-Mount, Rear Outlet, SmartHeight™, Vitreous China, Two-Piece Toilet

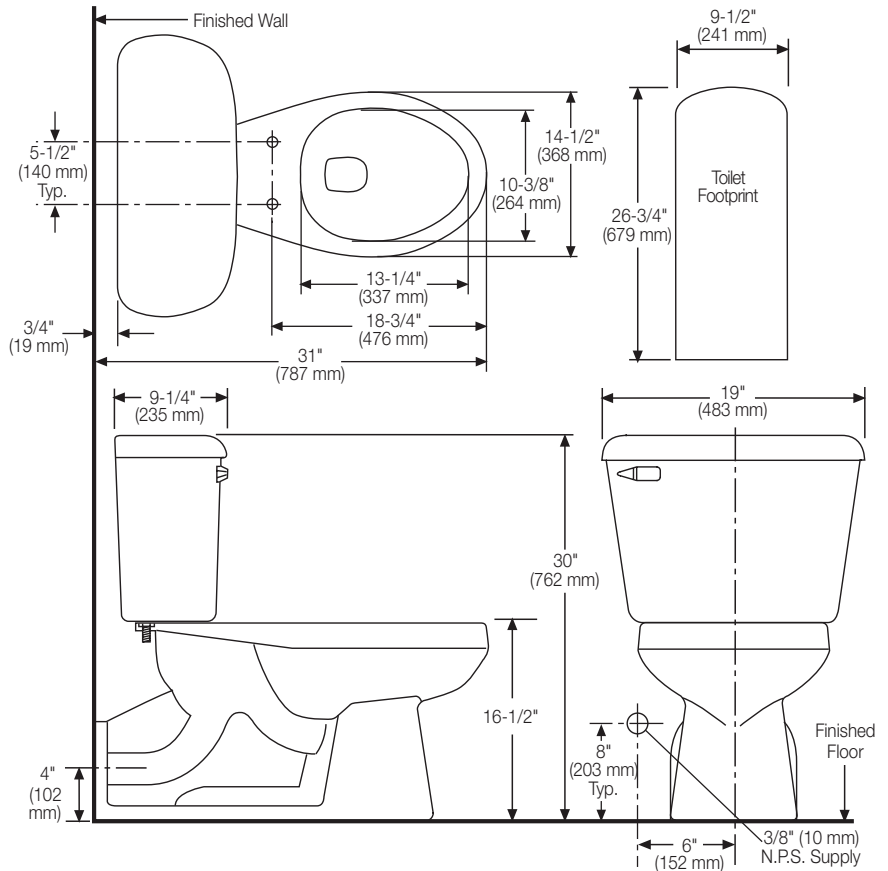


Specifications

Model #	Description	Codes/Standards
151-153/154	Elongated front, rear outlet, floor mount two-piece toilet	    

Specification	Description	Specification	Description
Material	Vitreous China	Trap Diameter	1-7/8"
Water Pressure Range	35 to 80 PSI	Trap Seal	2-3/4"
Flush System	Pressure-assist Flushing Technology	Rough-in	Rear Outlet
Water Usage	1.0 gpf / 3.8 lpf	Shipping Weight	Model 151 - 61 lbs. Model 154/153/153RH - 47 lbs.
Water Surface Area	10-1/2" X 12-1/4"	Warranty	Vitreous China - Limited Lifetime Tank Trim - Limited One Year
MaP Rating	600 grams		

Technical Information



See our complete line of acrylic and vitreous china bathroom fixtures, plastic tank trim and plumbing products.

These dimensions are nominal and subject to change without notice.

Fixture performance and specifications meet or exceed ASME A112.19.2-2008/CSA B45.1-08 standards, and other state and local codes.

