

Urinal Features

- Wall-mount, wash-out flush action urinal with extended sides
- 14-1/2" x 24-3/8"
- .125 Gpf / .4732 Lpf
- Includes flushing rim, integral strainer, 2 concealed hangers and bolts
- The Mansfield® Limited lifetime warranty
- Available in White







Model CP-422

Valve Features

- Manual urinal flush valve
- Chrome-plated housing
- Fits right or left hand supply
- Durable diaphragm with filtered fixed by-pass
- Chloramine resistant diaphragm
- ADA compliant metal non-hold-open handle with sealed handle package
- Vandal resistant torqued stop cap
- High back pressure vacuum break flush connection
- Spud coupling and flange for 3/4" top spud
- Chrome-plated copper casting resistant to dezincification
- 3/4" I.P.S. anglestop

Components

Model #	Description	Code/Standards
422	Brevity™ ADA urinal 0.125 Gpf	   
FM-U8	Flush valve for 1 pint urinals	

CP-422 Commercial Package

Brevity™ ADA Urinal and Flush Valve



Specifications

URINAL

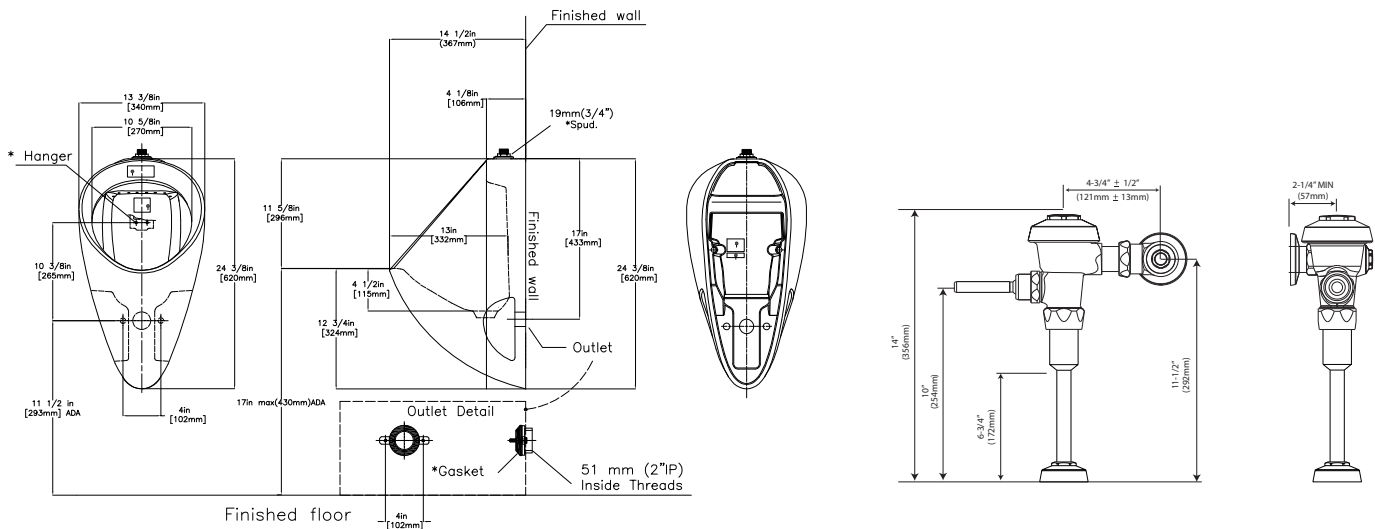
Model #	Description	Codes/Standards
422	Vitreous china wall-mount, wash-out (.125 Gpf/.4375 Lpf) urinal	

Specification	Description	Specification	Description
Material	Vitreous China	Water Usage	.125 Gpf / .4732 Lpf or less
Inlet	3/4"	Shipping Weight	Model 422 - 39 lbs. (18 kg)
Outlet	2"	Warranty	Vitreous China - Limited Lifetime

VALVE

Specification	Description	Specification	Description
Material	Brass Casting	Backflow Prevention	vacuum breaker/check valve
Plating	Chrome per ASTM B456	Water Type	potable cold water
Water Delivered	0.125 Gpf	Shipping Weight	6.4 lbs.
Water Pressure Range	20 to 125 psi	Warranty	Limited Three Years

Technical Information



See our complete line of acrylic and vitreous china bathroom fixtures, plastic tank trim and plumbing products.

These dimensions are nominal and are subject to change without prior notice.

Fixture performance and specifications meet or exceed, ASME A112.19.2-2008/CSA B45.1-08 standards, and other state and local codes.

Valve specifications meet ASSE-1037 standards.