

CP-1311 Commercial Package

Baltic bowl, flush valve, toilet seat and wax ring



Bowl Features

- Specifically designed for commercial and industrial applications
- 1.28 or 1.6 gpf water consumption (when using the proper flushometer)
- High performance, high efficiency (HET)
- 1-1/2" top spud
- 10" rough-in
- 2" glazed trapway
- Available in White
- The Mansfield® limited lifetime warranty

Valve Features

- Manual toilet flush valve for floor-mounted or wall-hung top spud bowls
- Chrome-plated housing
- Fits right or left hand supply
- Durable diaphragm with filtered fixed by-pass
- Chloramine resistant diaphragm
- ADA compliant metal non-hold-open handle with sealed handle package
- Vandal resistant torqued stop cap
- High back pressure vacuum break flush connection
- Spud coupling and flange for 1-1/2" top spud
- Chrome-plated copper casting resistant to dezincification
- 1" I.P.S. anglestop



Elongated Front



Model CP-1311

Components

CP-1311-128		CP-1311-16	
1311NS	Elongated front toilet bowl	1311NS	Elongated front toilet bowl
FM-T2	Flushometer Valve for 1.28 Gpf toilet	FM-T6	Flushometer Valve for 1.6 Gpf toilet
SB900	Commercial elongated toilet seat	SB900	Commercial elongated toilet seat
–	Wax ring	–	Wax ring

Specifications

BOWL

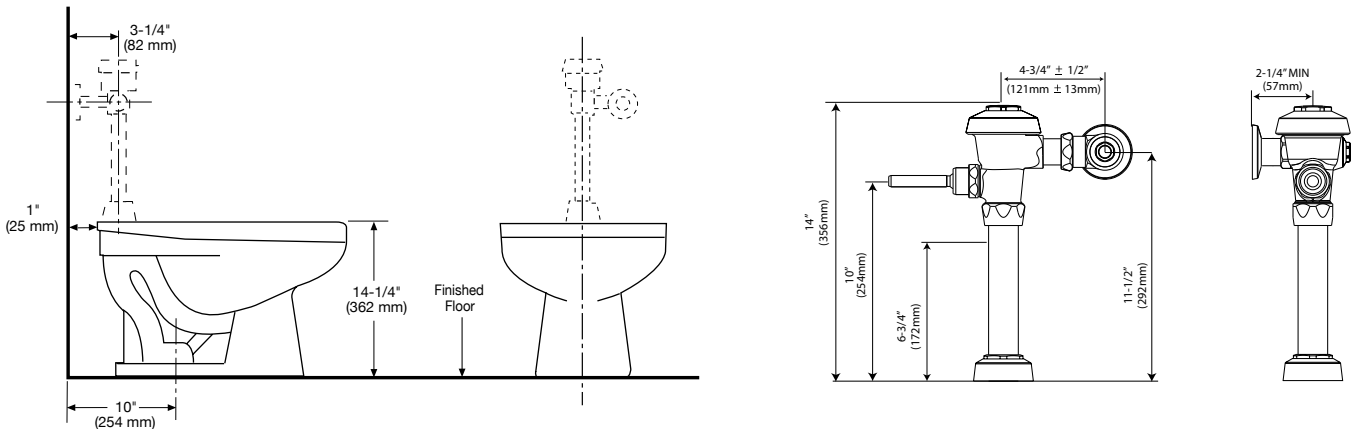
Model #	Description	Codes/Standards
1311NS	Elongated front, flush valve toilet	

Specification	Description	Specification	Description
Material	Vitreous China	Trap Diameter	2"
Water Pressure Range	20 to 80 PSI	Trap Seal	2-1/2"
Flush System	Siphon Jet Technology	Rough-in	10"
Water Usage	1.28 or 1.6 Gpf / 4.84 or 6.05 Lpf	Shipping Weight	Model 1311 - 53 lbs. (24 kg)
Water Surface Area	9-3/4" x 11-1/2"	Warranty	Vitreous China - Limited Lifetime Tank Trim - Limited One Year
MaP Rating	1,000 grams		

VALVE

Specification	Description	Specification	Description
Material	Brass Casting	Backflow Prevention	vacuum breaker/check valve
Plating	Chrome per ASTM B456	Water Type	potable cold water
Water Delivered	1.28 or 1.6 Gpf	Shipping Weight	7.15 lbs.
Water Pressure Range	20 to 125 psi	Warranty	Limited Three Years

Technical Information



See our complete line of acrylic and vitreous china bathroom fixtures, plastic tank trim and plumbing products.

These dimensions are nominal and are subject to change without prior notice.

Fixture performance and specifications meet or exceed, ASME A112.19.2-2008/CSA B45.1-08 standards, and other state and local codes.

Valve specifications meet ASSE-1037 standards.