

826 REO

MANSFIELD®


Vitreous China, Above Counter Demi-Vessel

FEATURES

- 25-5/8" x 15-1/2" above counter demi-vessel
- 16-3/4" x 12-3/8" basin
- Mansfield® limited lifetime warranty
- Available in White, Biscuit & Bone



COMPONENTS


MODEL #	DESCRIPTION	CODES/STANDARDS
826	Above counter demi-vessel. Less faucet, drain assembly and supply. Specify color.	

826 REO



Vitreous China, Above Counter Demi-Vessel

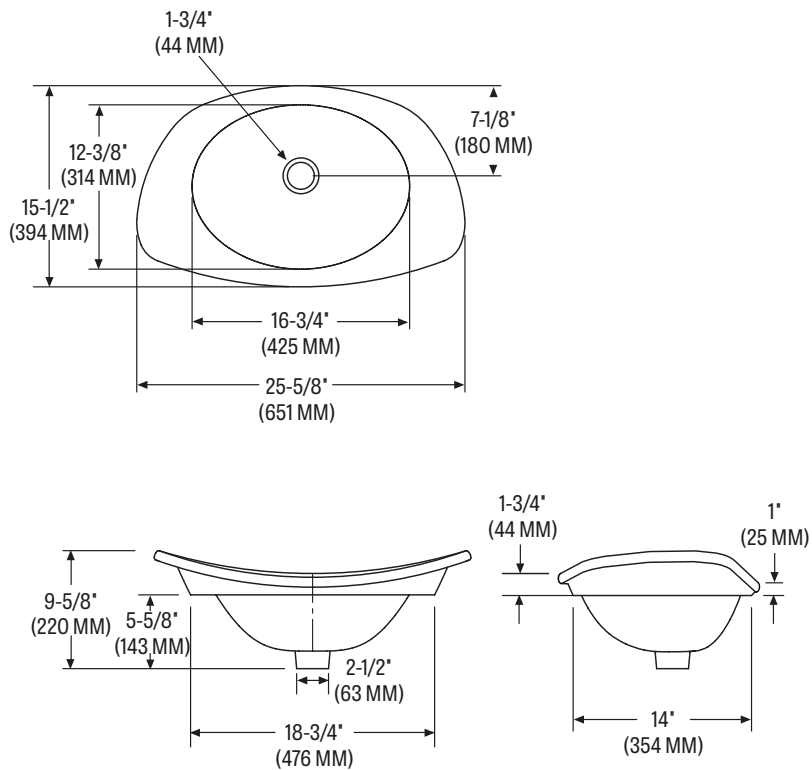
SPECIFICATIONS

MODEL #	DESCRIPTION	CODES/STANDARDS
826	25-5/8" x 15-1/2" above counter demi-vessel	

MATERIAL	Vitreous China	SHIPPING WEIGHT	21 lbs. (10 kg)
WARRANTY	Vitreous China - Limited Lifetime		

TECHNICAL INFORMATION

Note: these dimensions are nominal and subject to change without notice.



Fixture performance and specifications meet or exceed ASME A112.19.2-2013/CSA B45.1-13 standards, and other state and local codes.