

320 ESSENCE




Vitreous China, Pedestal Lavatory With Optional Towel Bar

FEATURES

- 25-1/2" x 21-3/4" pedestal lavatory
- 16" x 13" basin
- 33-5/8" luxury height
- Integrated back splash
- Integral rear overflow
- Available in single hole 4" or 8" faucet centers
- Optional, removable chrome-finished towel bar
- Mansfield® limited lifetime warranty
- Available in White, Biscuit, and Bone



COMPONENTS


MODEL #	DESCRIPTION	CODES/STANDARDS
320	Lavatory with pedestal. Less faucet, drain assembly and supply. Specify color.	
318-1	Lavatory with single hole faucet center. Less faucet, drain assembly and supply. Specify color.	
318-4	Same as above with 4" faucet centers. Specify color.	
318-8	Same as above with 8" faucet centers. Specify color.	
319	Pedestal only. Specify color.	
882	Optional towel bar kit. Chrome-plate finish.	

320 ESSENCE



Vitreous China, Pedestal Lavatory With Optional Towel Bar

SPECIFICATIONS

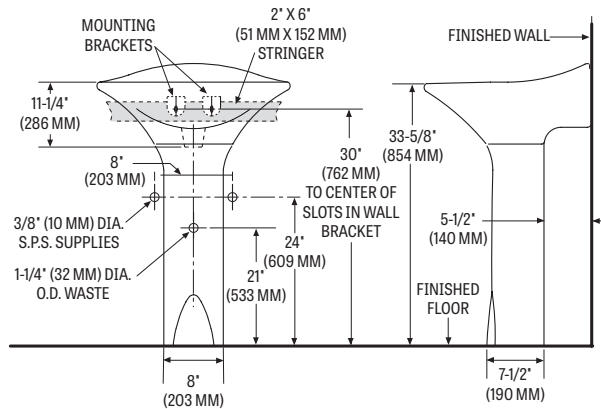
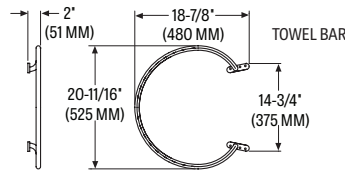
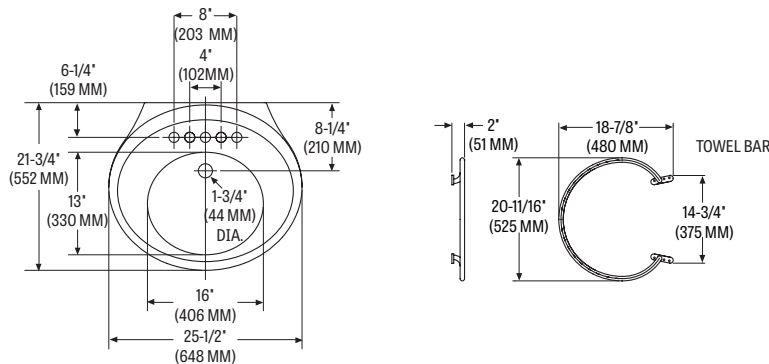
MODEL #	DESCRIPTION	CODES/STANDARDS
320	25-1/2' x 21-3/4' pedestal lavatory	


MATERIAL	Vitreous China
WARRANTY	Vitreous China - Limited Lifetime
FAUCET HOLES	Single hole, 4" or 8"

SHIPPING WEIGHT	Model 318 - 47 lbs. (21 kg) Model 319 - 31 lbs. (14 kg)
------------------------	--

TECHNICAL INFORMATION

Note: these dimensions are nominal and subject to change without notice.



 This pedestal lavatory comes with two heavy-duty plastic mounting brackets. Easily installed and adjusted, each contains three holes for solid mounting against wall. Anchoring screws must be used for correct installation. Standard plumbing practice recommends use of both mounting brackets and anchoring screws.

NOTE: For secure installation, wall-mounting hanger should be fastened to solid, support wall stud.

Fixture performance and specifications meet or exceed ASME A112.19.2-2013/CSA B45.1-13 standards, and other state and local codes.