



Features

- 21" x 18-3/4" Wall-mount lavatory
- Designed for concealed carrier arm installation
- Basin: 16" x 10-3/4"
- Concealed front overflow
- Available in 4" and 8" faucet centers
- Complies with ADA requirements for accessibility
- The Mansfield® limited lifetime warranty
- Available in White



Model 2008-4
 Less faucet, drain assembly
 and supply

Components

Model #	Description	Codes/Standards
2008-4	21" x 18-3/4" Wall-mount lavatory 4" faucet center. Complete with template and installation instructions. ADA compliant. Less faucet, drain assembly and supply.	 
2008-8	21" x 18-3/4" Wall-mount lavatory 8" faucet center. Complete with template and installation instructions. ADA compliant. Less faucet, drain assembly and supply.	



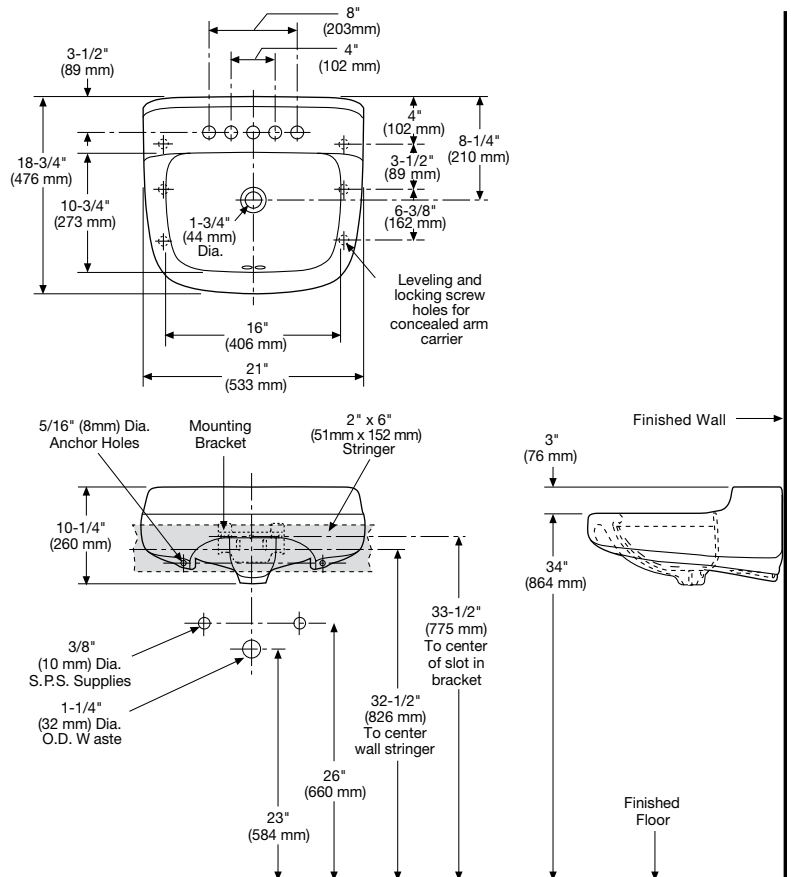
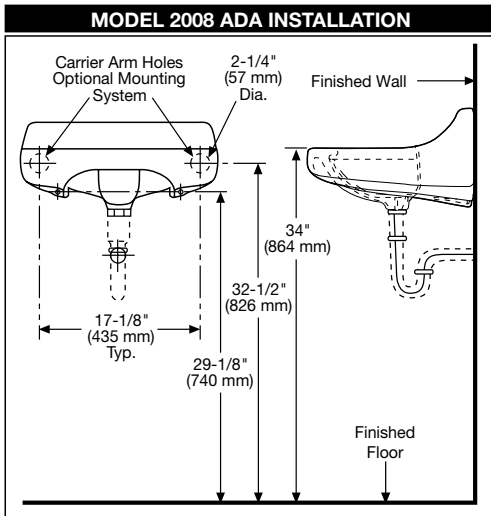
MADE IN USA

Specifications

Model #	Description	Codes/Standards
2008	Wall-mount, vitreous china lavatory	

Specification	Description	Specification	Description
Material	Vitreous China	Faucet Holes	4" or 8"
Warranty	Vitreous China - Limited Lifetime	Shipping Weight	37 lbs. (17 kg)

Technical Information



All Mansfield® wall-mount lavatories are supplied with this exclusive one-piece steel hanger. Easily installed and adjusted, it contains 7 holes for solid mounting against wall. Anchoring screw must be used for correct installation. Standard plumbing practice recommends use of both mounting bracket and anchoring screws. NOTE: For secure installation, wall-mounting hanger should be fastened to solid support wall stud.

See our complete line of acrylic and vitreous china bathroom fixtures, plastic tank trim and plumbing products.

These dimensions are nominal and subject to change without notice.
 Fixture performance and specifications meet or exceed ASME A112.19.2-2008/CSA B45.1-08 standards, and other state and local codes.



MADE IN USA