

CP-1319 Commercial Package

Adriatic™ bowl, flush valve, toilet seat and wax ring



Bowl Features

- Perfect for clinical applications
- SmartHeight™ (17" high bowl) chair height for maximum comfort
- ADA Compliant
- 1.28 or 1.6 Gpf / 4.86 or 6.0 Lpf low water consumption (when using the proper flushometer)
- High performance, high efficiency (HET)
- 1-1/2" top spud for flush valve installation
- 10" rough-in
- 2-1/8" glazed trapway
- The Mansfield® limited lifetime warranty
- Available in White

Valve Features

- Manual toilet flush valve for floor-mounted or wall-hung top spud bowls
- Chrome-plated housing
- Fits right or left hand supply
- Durable diaphragm with filtered fixed by-pass
- Chloramine resistant diaphragm
- ADA compliant metal non-hold-open handle with sealed handle package
- Vandal resistant torqued stop cap
- High back pressure vacuum break flush connection
- Spud coupling and flange for 1-1/2" top spud
- Chrome-plated copper casting resistant to dezincification
- 1" I.P.S. anglestop



Elongated Front



Model CP-1319

Components

| CP-1319-16 | | CP-1319-128 | |
|------------|--|-------------|--|
| 1319 | SmartHeight™ elongated front toilet bowl | 1319 | SmartHeight™ elongated front toilet bowl |
| FM-T6 | Flushometer Valve for 1.6 Gpf toilet | FM-T2 | Flushometer Valve for 1.28 Gpf toilet |
| SB900 | Commercial elongated toilet seat | SB900 | Commercial elongated toilet seat |
| – | Wax ring | – | Wax ring |

Specifications

BOWL

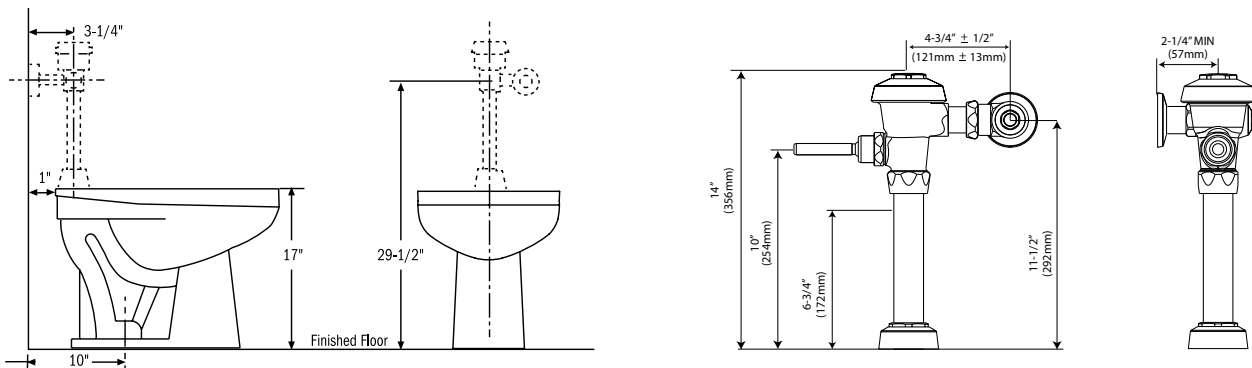
| Model # | Description | Codes/Standards |
|---------|---|-----------------|
| 1319 | SmartHeight™ elongated front flush valve 1.28 or 1.6 Gpf toilet | |

| Specification | Description | Specification | Description |
|----------------------|-----------------------------------|-----------------|---|
| Material | Vitreous China | Trap Diameter | 2-1/8" |
| Water Pressure Range | 20 to 80 PSI | Trap Seal | 2-3/8" |
| Water Usage | 1.28 or 1.6 Gpf / 4.86 or 6.0 Lpf | Rough-in | 10" |
| Water Surface Area | 9-7/8" x 11-7/8" | Shipping Weight | Model 1319 - 58 lbs. (26 kg) |
| MaP Rating | 1000 grams | Warranty | Vitreous China - Limited Lifetime Tank Trim - Limited One Year |

VALVE

| Specification | Description | Specification | Description |
|----------------------|---|---------------------|----------------------------|
| Material | Brass Casting | Backflow Prevention | vacuum breaker/check valve |
| Plating | Chrome per ASTM B456 | Water Type | potable cold water |
| Water Delivered | 1.28 Gpf / 4.8 Lpf or 1.6 Gpf / 6.0 Lpf | Shipping Weight | 7.15 lbs. |
| Water Pressure Range | 20 to 125 psi | Warranty | Limited Three Years |

Technical Information



See our complete line of acrylic and vitreous china bathroom fixtures, plastic tank trim and plumbing products.

These dimensions are nominal and subject to change without notice.
 Fixture performance and specifications meet or exceed ASME A112.19.2-2008/CSA B45.1-08 standards, and other state and local codes.
 Valve specifications meet ASSE-1037 standards.