

825 MONÉT

MANSFIELD®

Oval, Vitreous China, Above Counter Vessel

FEATURES

- 17" x 14" above counter vessel
- 14-1/2" x 11-1/2" basin
- Mansfield® limited lifetime warranty
- Available in White



COMPONENTS

MODEL #	DESCRIPTION
825	Oval, above counter vessel. Less faucet, drain assembly and supply.



825 MONÉT



Oval, Vitreous China, Above Counter Vessel

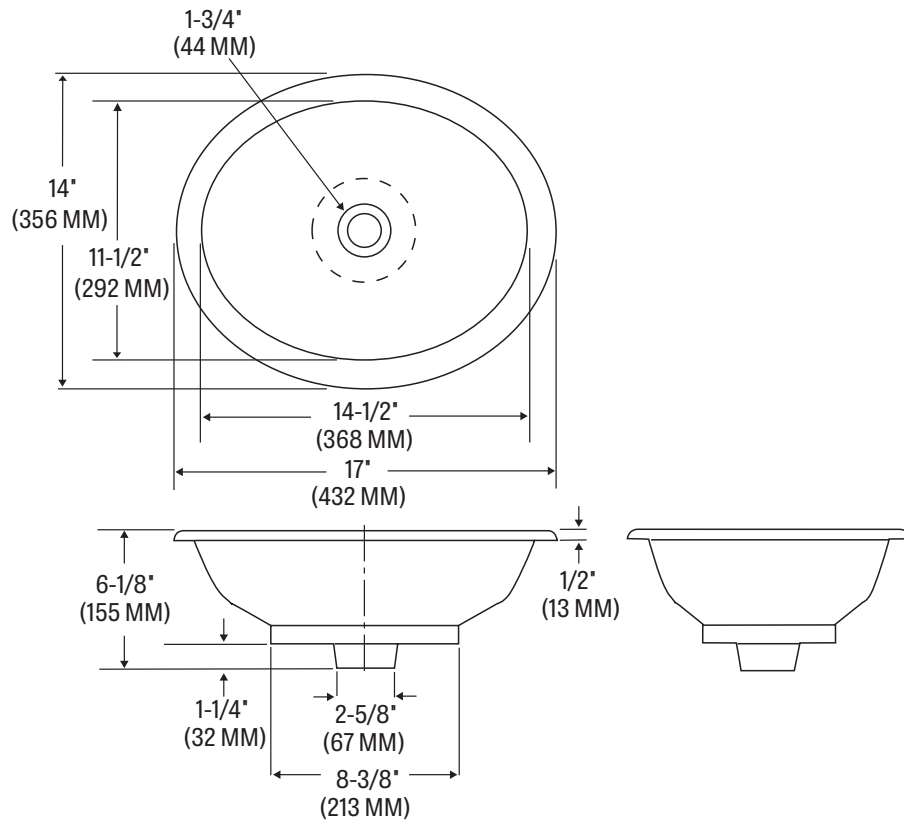
SPECIFICATIONS

MODEL #	DESCRIPTION
825	17" x 14" oval, above counter vessel

MATERIAL	Vitreous China	SHIPPING WEIGHT	12 lbs. (5 kg)
WARRANTY	Vitreous China - Limited Lifetime		

TECHNICAL INFORMATION

Note: these dimensions are nominal and subject to change without notice.



Fixture performance and specifications meet or exceed ASME A112.19.2-2013/CSA B45.1-13 standards, and other state and local codes.

