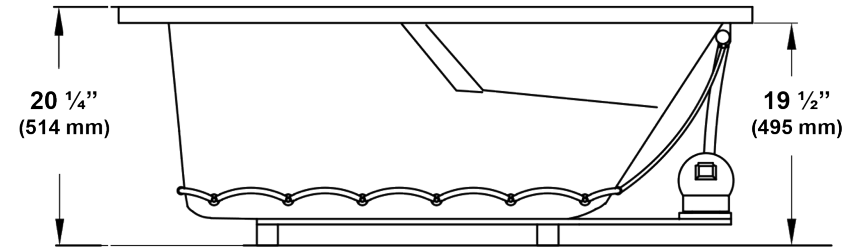
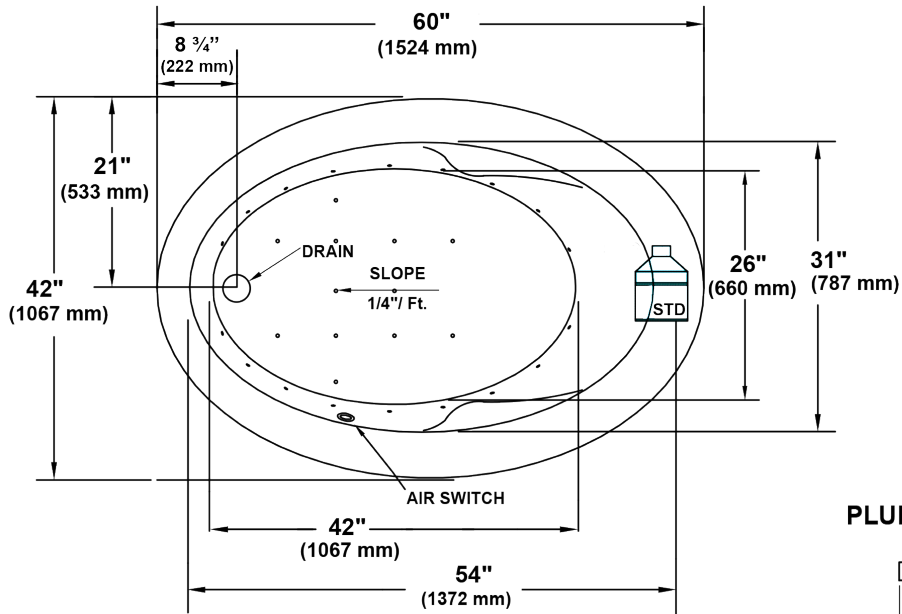


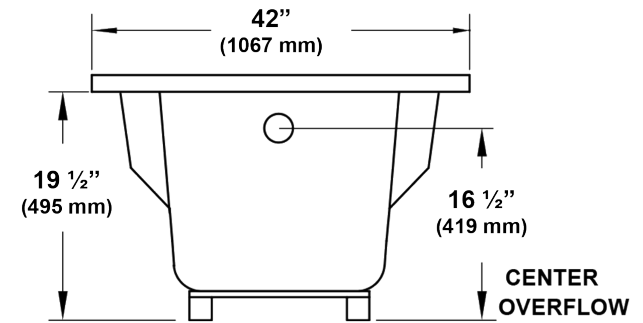
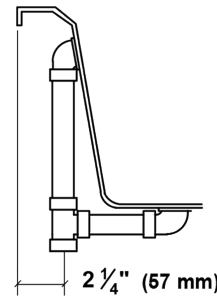
PRO-FIT® AIR MASSAGE BATH

4260 OV 60" x 42" x 20¼"

Model number: 6425



PLUMBING ROUGH-IN



NOTES:

1. Blower location (Standard only).
2. Required blower motor access is 20" W x 15" H.
3. Measurements may vary ¼" (+/-).
4. Optional removable apron is not available on this unit.
5. Installer note: Due to the freeform shape of the tub shell, it is recommended that the tub be on the job site before making the final cut-out for drop-in or undermount installation.

SPECIFICATIONS:

| | | | |
|---------------------------------|---|----------------------------|--|
| Dimensions: | 60" x 42" x 20¼" | Number of air jets: | 28 |
| Material: | Acrylic, fiberglass reinforced | Weight: | 108 lbs. (49 kg) |
| Blower Motor: | 120 V, 60 HZ, 8.0 Amp, Single Speed, 200 Watt Single Phase - Premounted | Water Capacity: | 55 gals max., 42 gals min. (208 liters/159 liters) |
| Electrical Requirements: | 120 V, 15 Amp, GFCI Protected | Floor Loading: | 47 lbs./sq.ft. (229 kg/m ²) |
| On/Off Control: | Air Switch | Shipping Weight: | 148 lbs. (67 kg) |