

# 1319RS Adriatic™

Elongated Front, SmartHeight™, Rear Spud, Flush Valve Toilet



## Features

- Designed for commercial and industrial applications
- 1.28\* or 1.6 Gpf / 4.86 or 6.05 Lpf water consumption  
(\*When using the proper 1.28 flushometer)
- ADA Compliant
- Elongated SmartHeight™ (17-1/4" high bowl) chair height
- 1-1/2" rear spud for flush valve installation,  
(accommodates many brands of flush valves)
- The Mansfield® limited lifetime warranty
- Available in White






Elongated Front



Model 1319RS  
Less toilet seat,  
hardware and supply

## Components


Model #	Description	Codes/Standards
1319RS	SmartHeight™, elongated front flush valve toilet. Less toilet seat, flush valve and supply. White only.	  

# 1319RS Adriatic™

Elongated Front, SmartHeight™, Rear Spud, Flush Valve Toilet

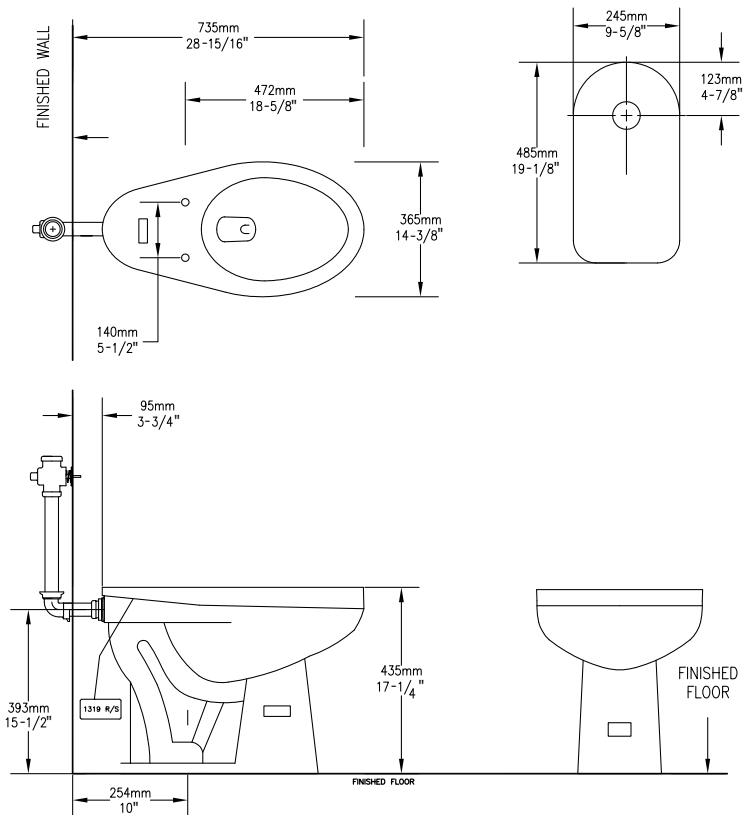


## Specifications

Model #	Description	Codes/Standards
1319RS	SmartHeight™, Elongated Front, Flush Valve Toilet (*When using the proper 1.28 flushometer)	<b>ADA</b>  <b>HET</b> <small>HIGH EFFICIENCY TOILET</small>

Specification	Description	Specification	Description
Material	Vitreous China	Trap Diameter	2"
Water Pressure Range	20 to 80 PSI	Trap Seal	2-3/8"
Water Usage	1.28* or 1.6 gpf / 4.86 or 6.0 lpf	Rough-in	10"
Water Surface Area	9-1/2" X 11-1/2"	Shipping Weight	Model 1319RS - 58 lbs. (26 kg)
MaP Rating	1000 grams	Warranty	Vitreous China - Limited Lifetime Tank Trim - Five Year Limited

## Technical Information



See our complete line of acrylic and vitreous china bathroom fixtures, plastic tank trim and plumbing products.

These dimensions are nominal and subject to change without prior notice.

Fixture performance and specifications meet or exceed, ANSI/ASME A112.19.2M standards and CAN/CSA B45.0 standards, and other state and local codes.

Engineered to dramatically meet or exceed all ANSI weight/load bearing requirements.